

BALDOR® • *RELIANCE*

Product Information Packet

VRBM3561T

3HP, 1750RPM, 3PH, 60HZ, 145TC, 7543M, TEFC, F1

Copyright © All product information within this document is subject to Baldor Electric Company copyright © protection, unless otherwise noted.

Part Detail							
Revision:	F	Status:	PRD/A	Change #:		Proprietary:	No
Type:	AC	Prod. Type:	7543M	Elec. Spec:	75WGW063	CD Diagram:	
Enclosure:	TEFC	Mfg Plant:		Mech. Spec:	75J035	Layout:	
Frame:	145TC	Mounting:	F1	Poles:	04	Created Date:	04-11-2008
Base:	N	Rotation:	R	Insulation:	F	Eff. Date:	10-31-2011
Leads:	9#18	Literature:		Elec. Diagram:		Replaced By:	

Nameplate NP1256L									
CAT.NO.	VRBM3561T								
SPEC.	75J035W063G2								
HP	3								
VOLTS	230/460								
AMP	8.2/4.1								
RPM	1750								
FRAME	145TC	HZ	60	PH	3				
SER.F.	1.15	CODE	M	DES	B	CLASS	F		
NEMA-NOM-EFF	87.5	PF	77						
RATING	40C AMB-CONT								
CC	USABLE AT 208V								
DE	6205	ODE	6205						
ENCL	TEFC	SN							

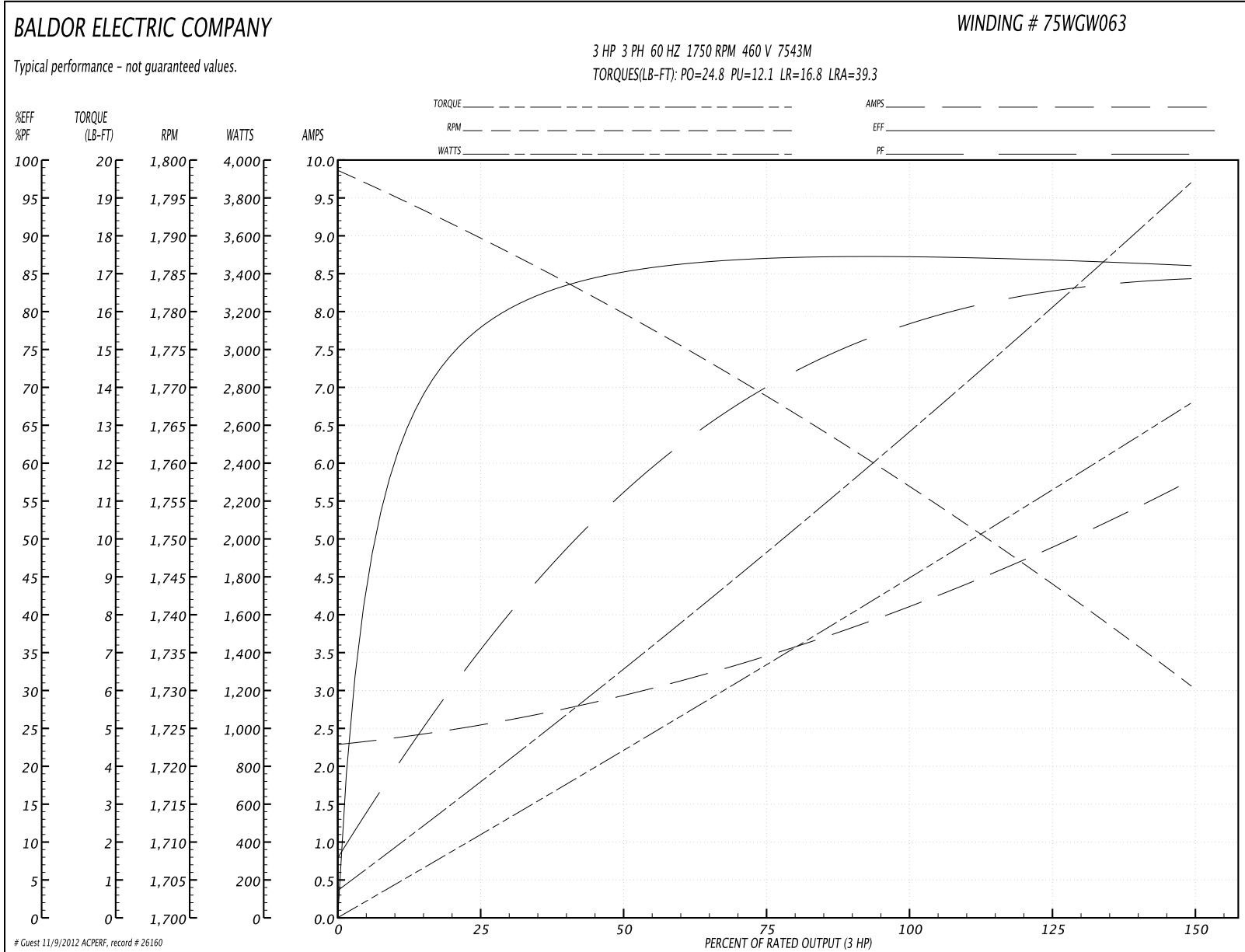
Parts List		
Part Number	Description	Quantity
SA170244	SA 75J035W063G2	1.000 EA
RA158494	RA 75J035W063G2	1.000 EA
NS2512A01	INSULATOR, CONDUIT BOX X	1.000 EA
75CB3000A04	COND BOX FOR 75SF2000 (REL# 7932952C)	1.000 EA
51XT1032A10	10-32X.62 HX SLD WASHER TAPP SERRATED	3.000 EA
WD4100A01	DP-875 HEYCO PLUG OR 62MP0875 MICRO PLAS	1.000 EA
51XN0832A16	8-32 X 1.00 HEX SLOT WSHR HD MACH SCREW	1.000 EA
XY0832A02	8-32 HEX NUT	1.000 EA
HW1001A08	WASHER, #8 SPLT LK, ZN	1.000 EA
11XW1032G06	10-32 X .38, TAPTITE II, HEX WSHR SLTD U	1.000 EA
HW3001B01	003SS CUP WASHER, FOR #8 SCREW	1.000 EA
HW5100A05	WVY WSHR F/205 & 304 BRGS	1.000 EA
35EP3300A33	SPL FACE MTD EP -ENCL-205 BRG	1.000 EA
51XN1032A20	10-32 X 1 1/4 HX WS SL SR	2.000 EA
BR2003D01	SPLINED HUB 7/8 W/O KEY	1.000 EA
WD4006A01	WIRE JOINT, RB-4 OR RB-44	1.000 EA
35FN3003A02	EXFN, PLASTIC, 5.88 OD, .876 ID (REL)	1.000 EA
35FH4007A01	FAN CVR SSB (REL# 60200449A)	1.000 EA
51XW1032A06	10-32 X .38, TAPTITE II, HEX WSHR SLTD S	4.000 EA
35CB4518	CB LIPPED LID,AUTOPHORETIC,REL# 7932915D	1.000 EA
51XW0832A07	8-32 X .44, TAPTITE II, HEX WSHR SLTD SE	2.000 EA
HW2501D13SP	KEY, 3/16 SQ X 1.375	1.000 EA
HW2501D13SP	KEY, 3/16 SQ X 1.375	1.000 EA
HA7000A04	KEY RETAINER 0.625 DIA SHAFTS	1.000 EA

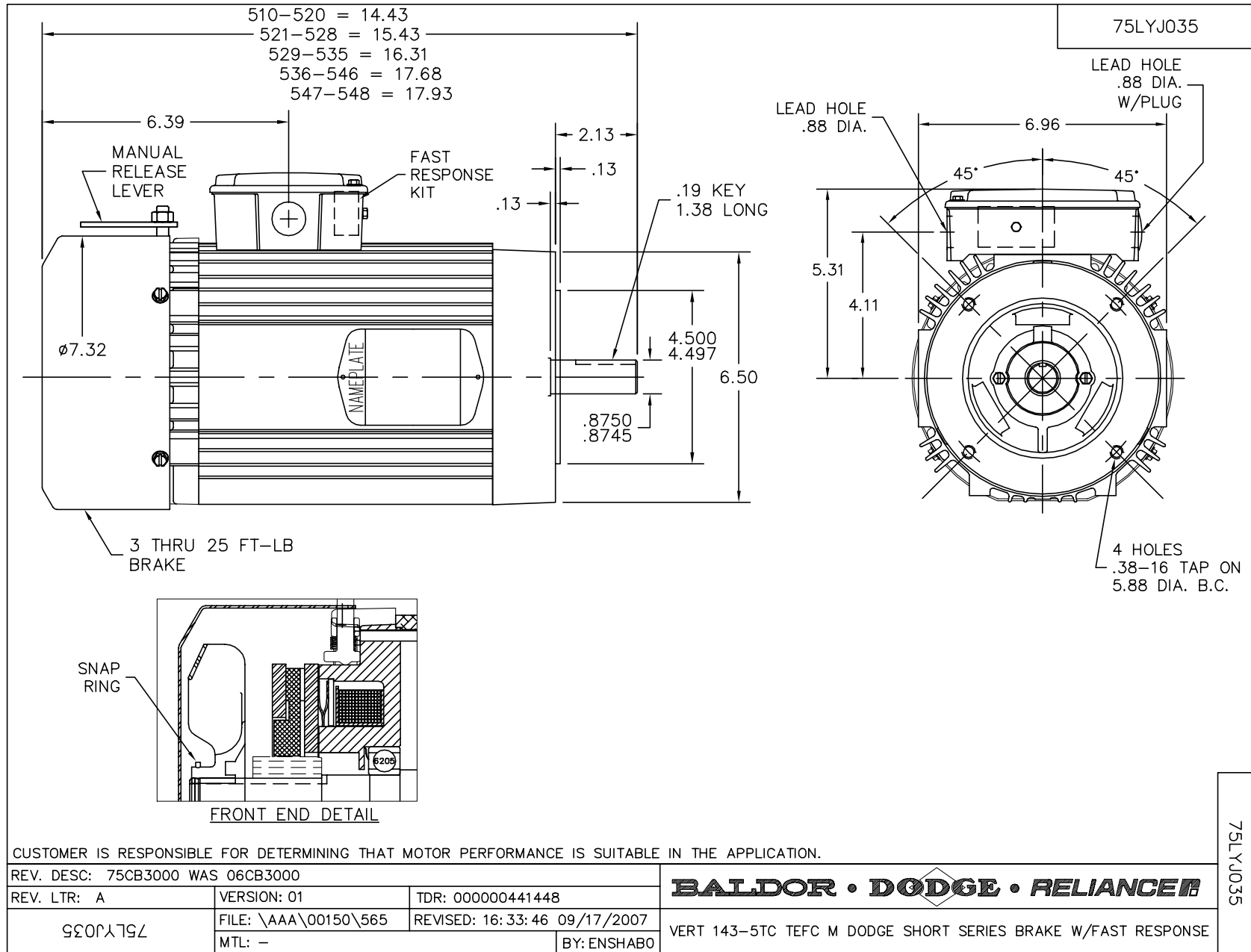
Parts List (continued)		
Part Number	Description	Quantity
85XU0407S04	4X1/4 U DRIVE PIN STAINLESS	2.000 EA
LB1418	INTEGRAL BRK ADJ LABEL (REL# 41171617A)	1.000 EA
MJ1000A75	GREASE, POLYREX EM EXXON	0.050 LB
HW1001A10	WASHER, #10 SPLT LK, ZN X	4.000 EA
HW1001A10	WASHER, #10 SPLT LK, ZN X	4.000 EA
MG1000G27	PAINT- S9282E CHARCOAL GREY	0.017 GA
HA3100A25	THRUBOLT 10-32 X 11.000	4.000 EA
43BK0400B02	SSB-15-230/460(205) L-HUB	1.000 EA
WD3111A01	Dodge FAST RESp. KIT 230/460V	1.000 EA
LB1125C01	STD (STOCK) CARTON LABEL BALDOR WITH FLA	1.000 EA
LC0005E01	CONN.DIA./WARNING LABEL (LC0005/LB1119)	1.000 EA
NP1256L	ALUM UL CSA CC	1.000 EA
G7PA1000	PACKAGING GROUP / BALDOR	1.000 EA
PK3082	STYROFOAM CRADLE	1.000 EA

Performance Data at 460V, 60Hz, 3.0HP (Typical performance - Not guaranteed values)

General Characteristics							
Full Load Torque:	8.91 LB-FT			Start Configuration:	DOL		
No-Load Current:	2.33 Amps			Break-Down Torque:	24.8 LB-FT		
Line-line Res. @ 25°C.:	4.51 Ohms A Ph / 0.0 Ohms B Ph			Pull-Up Torque:	12.1 LB-FT		
Temp. Rise @ Rated Load:	42 C			Locked-Rotor Torque:	16.8 LB-FT		
Temp. Rise @ S.F. Load:	50 C			Starting Current:	39.3 Amps		
Load Characteristics							
% of Rated Load	25	50	75	100	125	150	S.F.
Power Factor:	37.0	57.0	69.0	77.0	82.0	85.0	80.0
Efficiency:	79.5	86.3	87.9	88.0	87.3	86.2	87.6
Speed:	1789.0	1780.0	1769.0	1757.0	1745.0	1730.0	1750.0
Line Amperes:	2.5	2.9	3.44	4.13	4.93	5.74	4.61

Performance Graph at 460V, 60Hz, 3.0HP Typical performance - Not guaranteed values





CD0005

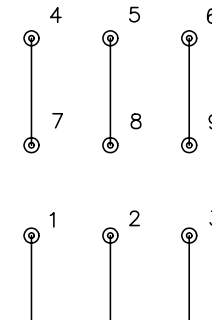


LOW VOLTAGE
(2Y)



LINE

HIGH VOLTAGE
(1Y)



LINE

NOTES:

1. INTERCHANGE ANY TWO LINE LEADS TO REVERSE ROTATION.
2. OPTIONAL THERMOSTATS ARE PROVIDED WHEN SPECIFIED.
3. ACTUAL NUMBER OF INTERNAL PARALLEL CIRCUITS MAY BE A MULTIPLE OF THOSE SHOWN ABOVE.
4. LEAD COLORS ARE OPTIONAL. LEADS MUST ALWAYS BE NUMBERED AS SHOWN.

REV. DESC: REVISE TO SHOW OPTIONAL COLORS			
REV. LTR: E	BY: JLP	REVISED: 01/19/99 10:15	TDR: 0171435
90000		FILE: AAA00005140	MDL: -
		MTL: -	

BALDOR ELECTRIC Co.

3PH, DV, 9 LEADS

CD0005