

BALDOR® • ***RELIANCE***

Product Information Packet

VS1GV4300-1T

VS1GV-F, 480AC, 3PH, 300HP

Copyright © All product information within this document is subject to Baldor Electric Company copyright © protection, unless otherwise noted.

Nameplate NP1876									
CAT.NO.	VS1GV4300-1T								
SER.NO									
SPEC.	VE2064A00								
IN VAC	480	IN PH	3	IN HZ	50/60				
OUT VAC	480	OUT PH	3	OUT HZ	0-500				
		S PWM KHZ	2.5			Q PWM KHZ	8		
C FLA IN	361	V FLA IN	414	C FLA IN	240	V FLA IN	302		
C HP OUT	300	V HP OUT	350	C HP OUT	200	V HP OUT	250		
C KW OUT	223.8	V KW OUT	261.1	C KW OUT	149.2	V KW OUT	186.5		
C FLA OUT	361	V FLA OUT	414	C FLA OUT	240	V FLA OUT	302		
C PKA OUT	631.75	V PKA OUT	517.5	C PKA OUT	420	V PKA OUT	377.5		
ENCL	1	IEC	IP20						
UL	LISTED	CUL	LISTED	CE	NO	FCC	NO	IEEE	NO
	-	PATENT	-						

Parts List		
Part Number	Description	Quantity
10XN2520A12	O1/4-20X 3/4 HEX HEAD CAP	4.000 EA
10YN0100J025	HEX HD BOLT, M10 X 1.5 X 25MM, GRADE 8.8	9.000 EA
15XD0619A04	PLASTITE 48-2, 6-19, PAN HEAD, 1/4" LONG	2.000 EA
15XN0632A06	6-32X3/8 PH PAN HD MACHINE ZINC SC	3.000 EA
15YP0025A10	THERMOPLASTIC TAPPING, 2.5MM-0.95X10MM	45.000 EA
26XN0632A08	SCREW, SEMS, PH, PAN HD, CONE WASH, 6-32X1/2,	20.000 EA
26XN0832A08	8-32X1/2 PH PAN HD MACH. ZINC W/SQ. CONE	40.000 EA
26XN1032A08	10-32X1/2 PH PAN HD MACH. ZINC W/SQ. CONE	70.000 EA
HW7013A16	M5X.8X16 PHIL PAN HEAD SEMS W/SPLIT&10OD	76.000 EA
26YN0050A020	SCREW, M5X20, PHILLIPS, PAN HD ZINC W/SQ CN	12.000 EA
26YN00040A012S	M4X12 PAN HD PHILLIPS SEMS, WITH SQUARE C	48.000 EA
98YM0050A012	M5 X 12 CROSS RECESSED, RAISED CHEESE HEA	26.000 EA
HW1000A25	1/4 SAE FLAT WASHER (FS)	6.000 EA
HW1000A39	WASHER, 3/8" FLAT USS	12.000 EA
HW1001A25	LOCKWASHER 1/4, ZINC PLT .493 OD, .255 I	4.000 EA
HW2102A07	STANDOFF, 8MM HEX, M/F, L=17MM, NYLON	9.000 EA
HW7011A16	M6X16, PHPN, SEM W/SPLIT 12.5 DIA. FLAT SC	53.000 EA
MP0005A00	NYLON CAPACITOR SECURING M12 NUT	12.000 EA
V6320508	SCREW FH 8-32 X 1/2	4.000 EA
V6391412	HEX BOLT 3/8-16 X 1-1/2 .	12.000 EA
V6400514	NUT HEX FIN 1/4-20	4.000 EA
V6401308	NUT "K" TYPE 8-32	8.000 EA
V6401532	HEX NUT, FIN. 5/16-18 .	2.000 EA
V6401538	HEX NUT, FIN. 3/8-16 .	12.000 EA

Parts List (continued)		
Part Number	Description	Quantity
V6410432	FLAT WASHER 5/16 USS STAINLESS	2.000 EA
V6425932	BELLEVILLE,SS,5/16	2.000 EA
V6425938	BELLEVILLE,SS,3/8 .	18.000 EA
HW3211A00	SPIRAL CABLE WRAP 3/8 INCH	1.000 FT
V6913310	TUBING 3/4 HEAT SHRINK .	0.167 FT
WD4557A28	DUCT WIRE 1.26 X 2.12 GREY 6 FOOT	0.743 EA
HW1000YH05	WASHER,M10 FLAT,.5MM, ZINC PLTD,OD-20MM	9.000 EA
HW1001YH05	WASHER, M10 SPLIT,.7MM,ZINC PLTD,OD .1MM	9.000 EA
V6016003	CONN,CL,LK,POL,#22,0.1",3 POS	3.000 EA
V6800418	WIRE,18 AWG YEL 1007	0.333 FT
V6911183	SPACER, M/F, 632 X 1/2 UNICORP 1435M19	2.000 EA
V6501KJ08	SPACER, M/F, 6-32/4-40 X .	3.000 EA
26XN0632A06	6-32X3/8 PH PAN HD MACH. ZINC W/SQ. CONE	5.000 EA
LD0026A73	H2-F HV GROUND CABLE	1.000 EA
BB0002A09	VS-H2 POSITIVE BUS PLATE FOR TT500	1.000 EA
BB0002A10	VS-H2 NEGATIVE BUS PLATE FOR TT500	1.000 EA
BB0002A29	H2-F BUS PLATE ASSEMBLY	1.000 EA
BB0002A19	H2-F BUS BAR FROM BRAKE TRANSISTOR TO B+	1.000 EA
BB0002A21	VS-H2-F COPPER TUBE FOR BRAKE TRASISTOR	1.000 EA
BB0106A10	VS-H2-E SKIIP 3 BUS BAR FOR T1,T2, & T3	9.000 EA
BE0001A72	VS-H2 CUSTOM ENCLOSURE 2000X800X600MM	1.000 EA
BE0521A00	H2 CONTROLLER BASE	1.000 EA
BE0532A01	VS H2 KEYPAD BUCKET BLACK ABS	1.000 EA
CC0113A04	CAP ,ALE,3300UF,420VDC,±20%,105C,STUD	12.000 EA

Parts List (continued)		
Part Number	Description	Quantity
CC0166A03	CAP, FILM, 0.68UF, 1200V, MODULE TABS	9.000 EA
CT0036A06	CT,1000A,5000:1,W/4 PIN MOLEX MINI-FIT	3.000 EA
DI0012A19	THYRISTOR,SCRX2,A>K,1.8KV,500A,HOLE,DRW	3.000 EA
EB0490A04SP	CONTROL BOARD,H2,CLOSED LOOP	1.000 EA
EB0493A00SP	ENCODER FEEDBACK BOARD,H2	1.000 EA
EB0540B03	BRAKE,IGBT PERSONALITY BOARD, H2	1.000 EA
EB0564A01	CONVRTR GATE DRIVE BRD,H2E,W/BRK GT DRV	1.000 EA
EB0565A22	PWR BRD,VS1-F,INV SGNL INTRFC,480V,300HP	1.000 EA
EB0579A05	H2/VS1 HI-VOLTAGE INTERFACE BRD W/O MOV5	1.000 EA
EB0590A01	H2/VS1 MASTER GATE DRIVE BRD 300 HP	3.000 EA
EB0600A01	CB ASSY,SEMIX453 PERSONALITY BOARD	9.000 EA
EF0001A09SP	IMPELLER 251MM DIA. W/RING/GUARD/FLAGS	2.000 EA
EH0003A00	DINRAIL,GE #CLXR35 3 FT PER SECTIO	12.000 IN
EH0008A04	PFANNENBERG PLASTIC FILTER PFA6000 BLACK	2.000 EA
EH0011A15	H2 CLAMP CONTROL WIRE	3.000 EA
EH0245A01	CAPACITOR CLAMP,(VERTICAL)ROUND,TYPE VR	2.000 EA
FI0045A01	MOV/CAP ASSY, H2 HI HP, 40MM, .01U,460V	1.000 EA
FU0001A18	FUSE,4A,125VAC,TIME DELAY,20X5MM,GLASS	1.000 EA
FU0005A57	FUSEHL,3P,30A,600V,(CC),PORTS,ENCL	2.000 EA
FU0030A16	FUSE,2.5A,600VAC(CC)10X38,DELAY,ECR	3.000 EA
FU0030A44	FUSE,5A,600VAC(CC)10X38,DELAY,ECR	3.000 EA
FM702WARR	H2 Warranty Registration 8/11	1.000 EA
HS0001A30	H2-F ALUMINUM HEATSINK 339MM FOR 4 SEMIX	3.000 EA
HS0001A31	H2-F ALUMINUM HEATSINK 339MM FOR 3 SCR	1.000 EA

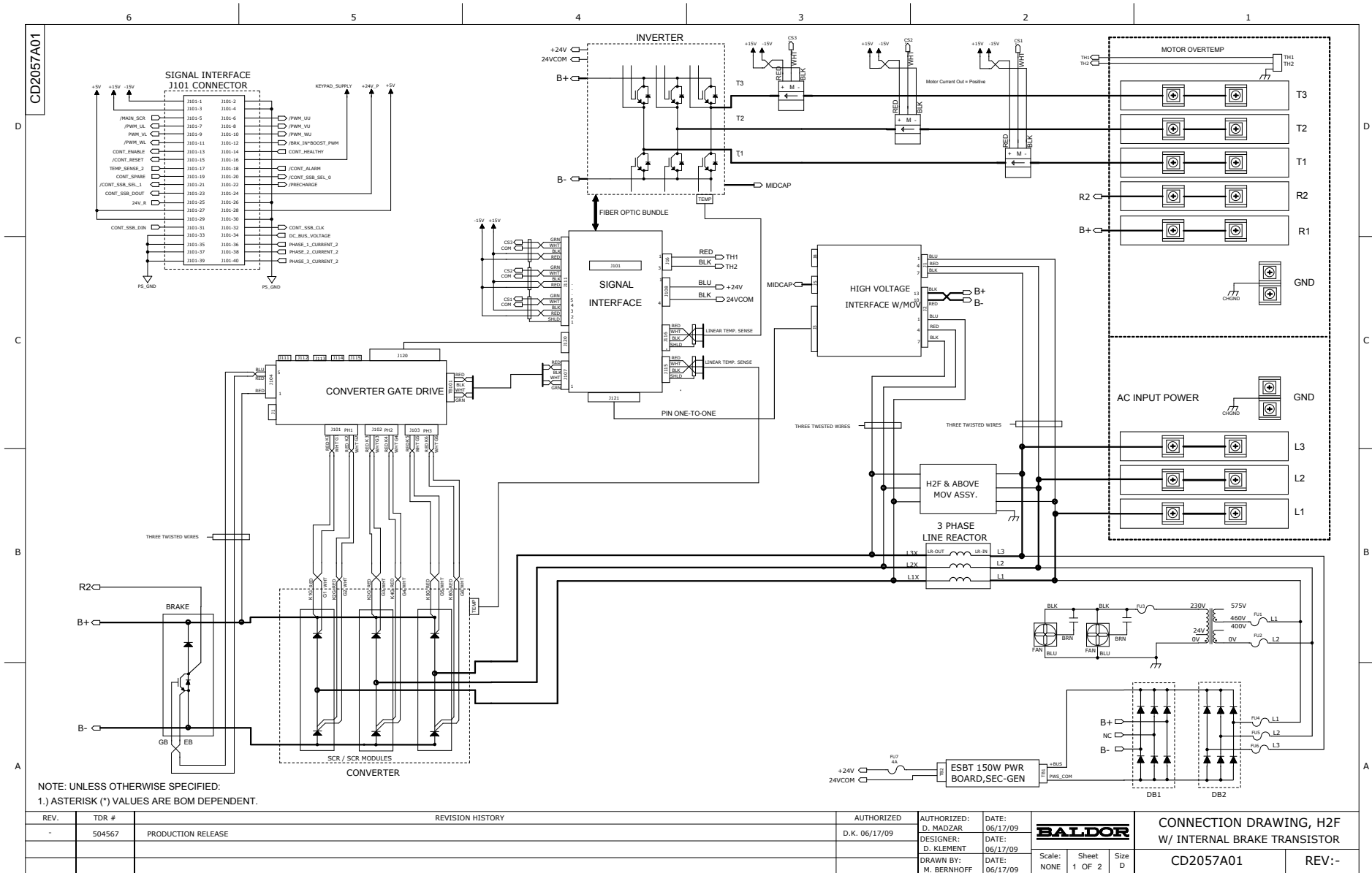
Parts List (continued)		
Part Number	Description	Quantity
HW3001A01	D3019 BRASS WASHER(STIMP)	1.000 EA
HW7113A00	RIVET,5/32" DIA,BUTTONHEAD,STEEL/STEEL	60.000 EA
HW1000A25	1/4 SAE FLAT WASHER (FS)	6.000 EA
IM01338A-00	10MMET EDG GEE144F-R LARGE SIZE (1 1	0.500 FT
KP0029A04SP	VS KEYPAD BLACK,STD SOFTWARE	1.000 EA
KT0108A01	VS-H2-F SHEET METAL KIT	1.000 EA
LB0001A70	H2-F TERMINAL BLOCK LABEL KIT	1.000 EA
LB1272A01	LABEL 460V CAUTION ORANGE	1.000 BX
LB0197A00	BALDOR H2 VECTOR LABEL, 24"X7"	1.000 EA
LB0093A00	WARNING HIGH VOLTAGE,H2,ENGLISH/SPANISH	1.000 EA
LB9000U60	MRKR,BRADY #SLF-U,B292 SELF LAM. VINYL 3	6.000 EA
LB9000L60	MRKKT,BRADY #SLF-L,B292 SELF LAM. VINYL,	6.000 EA
LB9000F60	MRKR,BRADY #SLF-F,B292 SELF LAM.VINYL,36	6.000 EA
LB9000F160	MRKKT, BRADY WM-F1, B-500 VINYL	6.000 EA
LD0026A47	VS-H2-F DUAL SCR GATE DRIVE CABLE	1.000 EA
LD0026A48	VS-H2-F 26-PIN SCR CONVERTER CONTROL CBL	1.000 EA
LD0026A49	VS-H2-F CONTROL POWER SUPPLY INPUT CABLE	1.000 EA
LD0026A50	VS-H2-F CONTROL POWER SUPPLY OUTPUT CBL	1.000 EA
LD0026A51	VS-H2-F,VOLTAGE SENSE CABLE	1.000 EA
LD0026A52	H2-VS-F HIGH FREQ.DISTRIBUTION CABLE	1.000 EA
LD0026A53	VS-H2-F CURRENT SENSE CABLE	1.000 EA
LD0026A54	VS-H2-F LINE VOLTAGE SENSE CABLE	1.000 EA
LD0026A55	VS-H2-F LOAD & DC SENSE CABLE	1.000 EA
LD0026A56	H2-VS-F MID CAP CABLE	1.000 EA

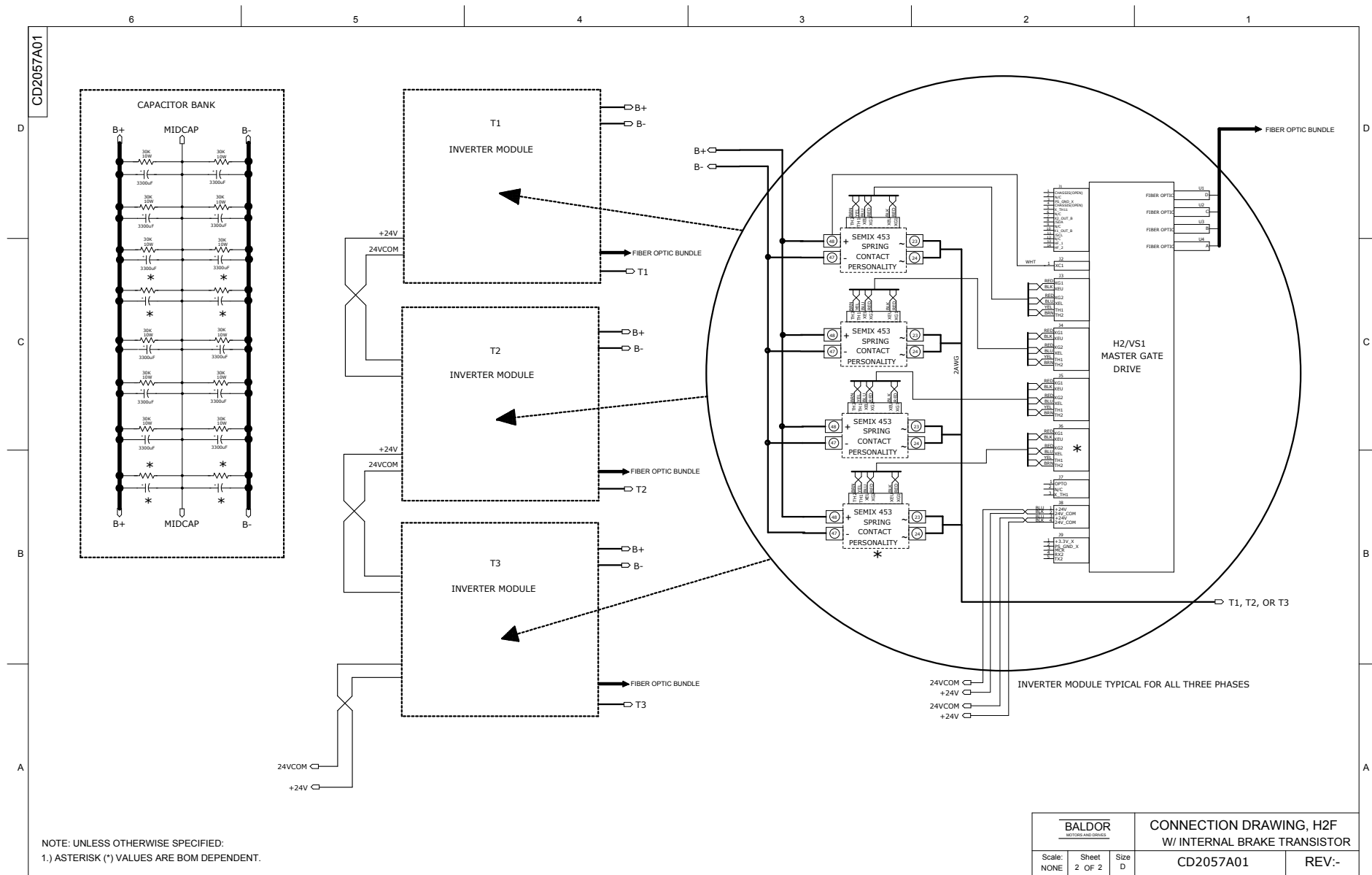
Parts List (continued)		
Part Number	Description	Quantity
LD0026A57	VS-H2-F MOTOR OVERTEMP CABLE	1.000 EA
LD0026A60	VS-H2-F IGBT GATE MASTER-PERSONALITY CBL	9.000 EA
LD0026A62	VS-H2-F MASTER GATE COLLECTOR CABLE	3.000 EA
LD0026A68	VS-H2-F IMPELLER POWER WIRE HARNESS	1.000 EA
LD0026A69	VS-H2-F MASTER GATE 24V CONN. CABLE	1.000 EA
LD0026A70	10 GAUGE GROUND STRAP, 3/8" & #10 LUGS	1.000 EA
LD0026A71	VS-H2-F MOV CABLE	1.000 EA
LD0094A02	CABLE ASSY, 40 PIN RIBBON,4.50" LONG	1.000 EA
LD0105A05	H2 KEYPAD CABLE 24" LONG	1.000 EA
LD9136A03	FIBER OPTIC CABLE ASSY 2.0M	4.000 EA
LD9136A07	FIBER OPTIC CABLE ASSY 1.68M	4.000 EA
LD9136A08	FIBER OPTIC CABLE ASSY 1.25M	4.000 EA
LD9176A01	RESISTOR ASSY.,30K,10W,5%, #10 RINGS	12.000 EA
LR0107A00	KDR DRIVE REACTOR, 480V, LOW A, J FRAME	1.000 EA
MH0001A87	VS-H2-F NOMEK FOR SCR BUS PLATES	1.000 EA
MH0107A00	VS-H2-F HIGH VOLTAGE BOARD LEXAN COVER	1.000 EA
MH0107A01	VS-H2-F MASTER GATE DRIVE BD LEXAN COVER	3.000 EA
MJ5023A01	HIGH PERFOR. SILICONE ADHESIVE/SEALANT	0.100 EA
MN765	VS1GV Closed Vector 10/11	1.000 EA
MS765	VS1GV Wallchart 7/10	1.000 EA
NP1876	H2 NAMEPLATE FOR PM,SD,SP & GV DRIVES	1.000 EA
OC3006F12	CYL OIL CAP 6MFD/370V	2.000 EA
PK0107A00	SHIPPING CRATE; H2F 86.56"X31.78"X24.59	1.000 EA
PS2001A00	150 WATT POWER SUPPLY	1.000 EA

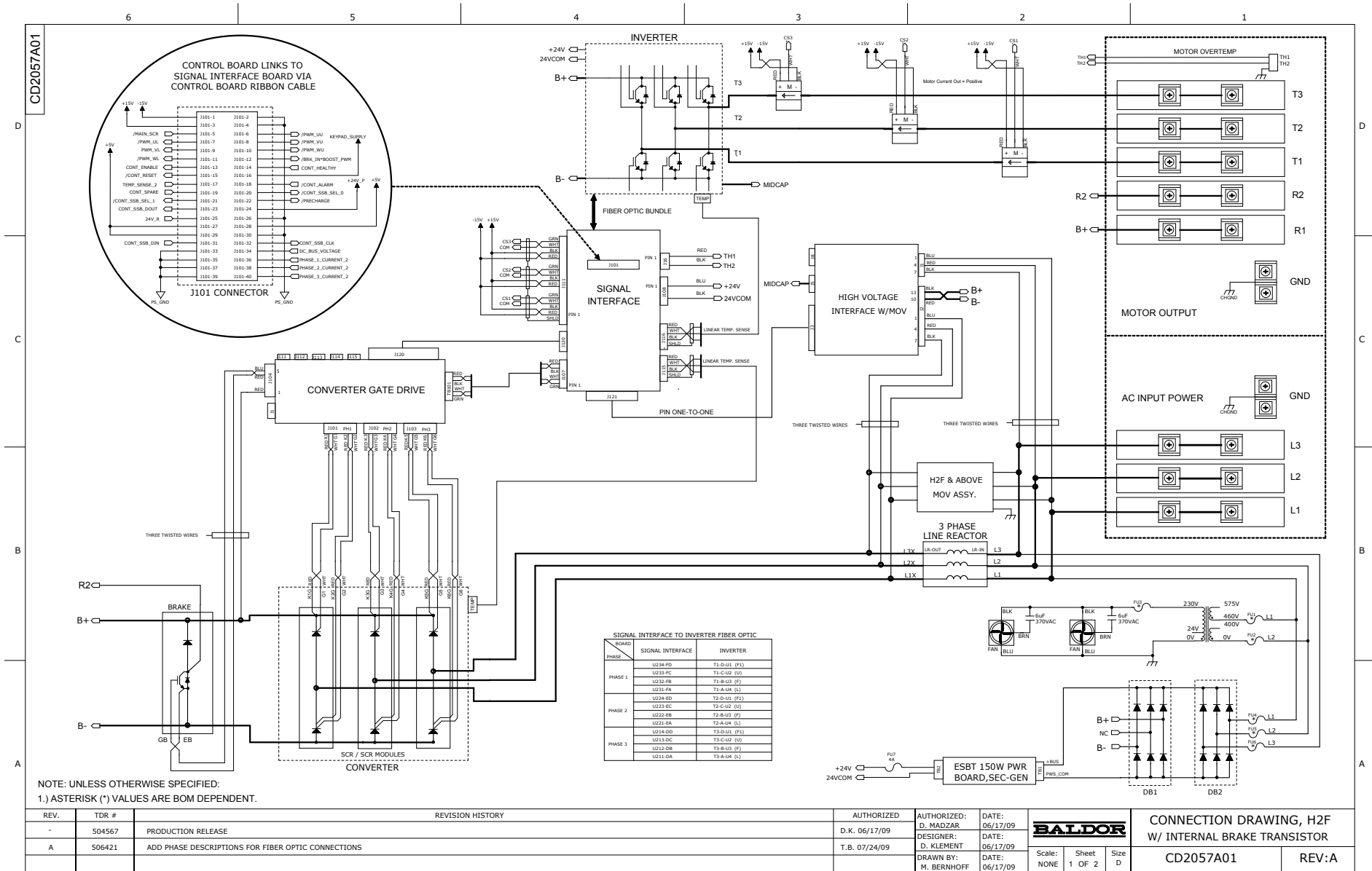
Parts List (continued)		
Part Number	Description	Quantity
TB0001A01	UNIVERSAL GROUND TERMINAL FOR ALUMINUM A	1.000 EA
TB0006A00	TERM BLOCK,1 PIN M4/6	3.000 EA
TB0006A02	TERM BLOCK,END STOP	5.000 EA
TB0006A03	TERM BLOCK,1 PIN M4/6.P GROUND TO MTG RA	2.000 EA
TB0014A34	POWER BLOCK,GOULD #69653 2-PRIM,2-SEC,84	1.000 EA
TB0014A35	POWER BLOCK,2-PRIM 600-#2,4-SEC,#14-4&3/	1.000 EA
TB0015A01	TRM BLK,ENTR.#115.657.25 FUSED,10A,22-12	1.000 EA
TB0015A07	POWER BLOCK,2-PRIM 600-#2,4-SEC,#14-4&3/	1.000 EA
TL2000A00	H2 TECHNICIANS BLADE SCREW DRIVER/YELLOW	1.000 EA
TM0010A00	THERMAL PAD, 2.4 X 4.8, 4 HOLE	9.000 EA
TP0014A12	LINEAR TEMPERATURE SENSOR ASSY, 64.00 IN	1.000 EA
TP0014A13	LINEAR TEMPERATURE SENSOR ASSY, 36.00 IN	1.000 EA
TR0114A06	TRANSFORMER, CONTROL, C.E., 750VA	1.000 EA
TX0044A19	IGBTX2,1.2KV,526A,FWD,NTC,HOLE,DRW	9.000 EA
TX0195A08	IGBT&DIODE,1.2KV,600A,FWD,HOLE,DRW	1.000 EA
TX0263A02	DIODE,BRIDGE,3P,1.6KV,30A,NO CTRL,HOLE	2.000 EA
V1074246	LABEL, CAUTION HIGH VOLTAGE	4.000 EA
V6250614	RING TERM,UN-INSL 2 RADAR; G971	11.000 EA
V6425914	BELLEVILLE WASH,SS,1/4 .	2.000 EA
V6256838	RING TERM UN-INSUL 3/0	18.000 EA
V6822002	WIRE,2 GA,150C,UL3213 600V BLACK,HALB	50.832 FT
V68220E0	WIRE, 2/0 AWG BLK 600V 150 C; A/W	52.580 FT
V6910635	THERM. PAD, SCR, 4 HOLE,GSIZE; POW.D; AL	3.000 EA
V6913518	SLEEVING,BRAIDED,7/8,EIS ACRYFLEX-F-155	3.500 FT

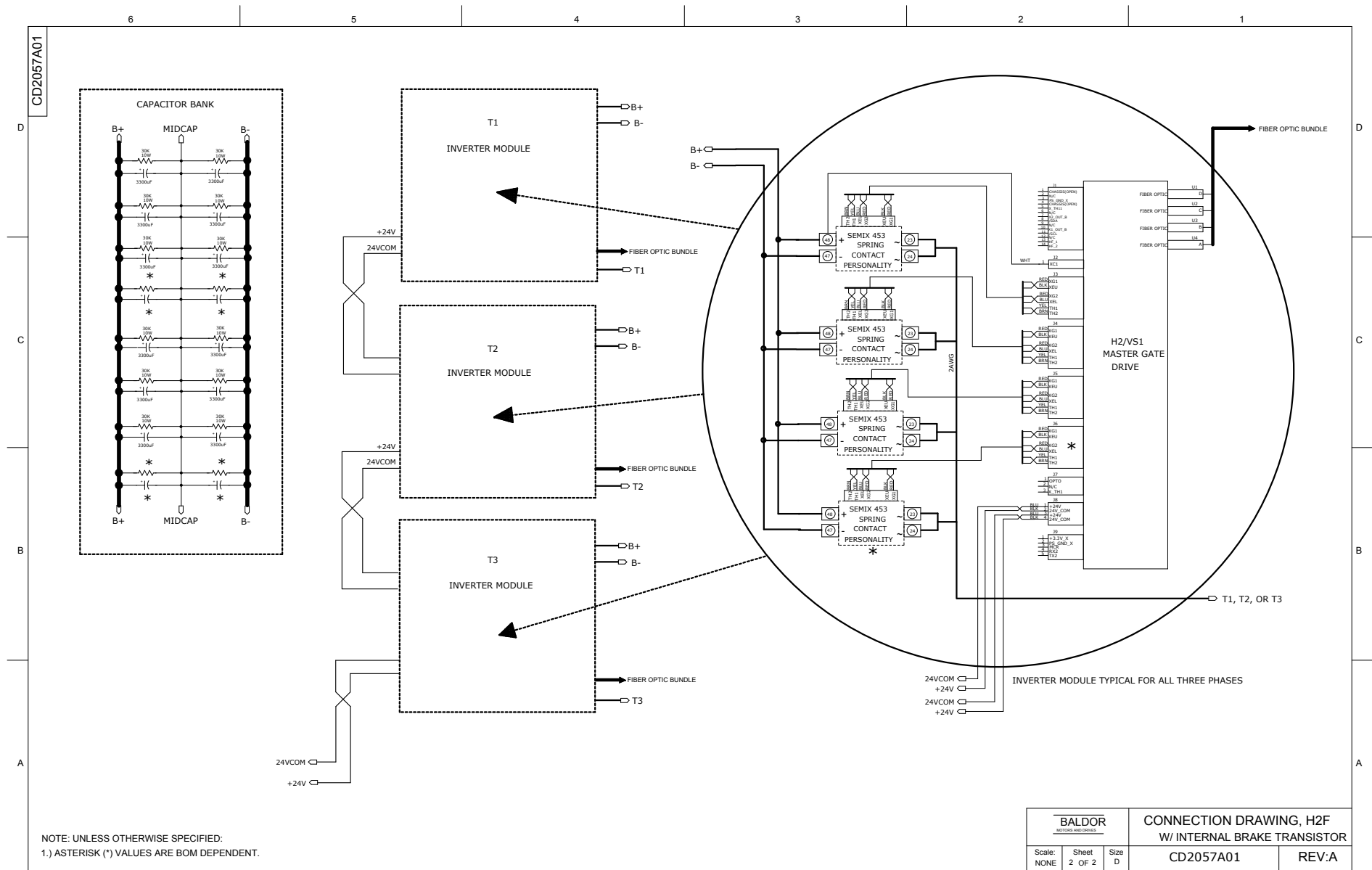
Parts List (continued)		
Part Number	Description	Quantity
V6910643	THERMAL PAD, LG XSTR, 4 HOLE	1.000 EA
V6911309	SNAP BUSHING 9/16 ID	1.000 EA
V6911444	GROMMET EDGING,RICHCO;A/WRICDSC-2-48	1.000 EA
V6911701	WIRE MARKER 1; RADAR BRADY, WM-1	2.000 EA
V6911702	WIRE MARKER 2; RADAR	2.000 EA
V6911703	WIRE MARKER 3; RADAR BRADY WM-3	2.000 EA
WD1700A00	NON-INSULATED FERRULE, 2/0 AWG WIRE	6.000 EA
WD1700A10	NON-INSULATED FERRULE, 2 AWG WIRE	11.000 EA
WD4557A17	WIREWAY,COVER,1",LT GR	4.333 FT
WD4557A15	WIRE DUCT, MOUNTING DEVICES, PANDUIT NR1	10.000 EA
HW0107A01	6MM HEX MALE-FEMALE STANDOFF, 32MM LONG,	23.000 EA
LT0007A01	DOCUMENT PACKAGE-ENVELOPE BEC-134	1.000 EA
09YN0060A020	SCREW PHILLIPS PANHEAD M6 DIA,20MM LNGTH	1.000 EA
09YN0060A035	SCREW PHILLIPS PANHEAD M6 DIA,35MM LNGTH	1.000 EA
LB0001A76	H2 CAUTION LABEL FOR EARTHING CONDUCTOR	1.000 EA

Accessories		
Part Number	Description	Multiplier
SW0115A26	ZHH-1.25	P1









NOTE: UNLESS OTHERWISE SPECIFIED:
 1.) ASTERISK (*) VALUES ARE BOM DEPENDENT.

BALDOR MOTOR DIVISION			CONNECTION DRAWING, H2F W/ INTERNAL BRAKE TRANSISTOR	
Scale: NONE	Sheet 2 OF 2	Size D	CD2057A01	REV:A