

# **BALDOR**® • *RELIANCE*

## Product Information Packet

# **VS1GV450-1B**

**VS1GV-C,480AC,3PH,50HP**

Copyright © All product information within this document is subject to Baldor Electric Company copyright © protection, unless otherwise noted.

Nameplate NP1876									
CAT.NO.	VS1GV450-1B								
SER.NO									
SPEC.	VE2022A10								
IN VAC	480	IN PH	3	IN HZ	50/60				
OUT VAC	480	OUT PH	3	OUT HZ	0-500				
		S PWM KHZ	2.5			Q PWM KHZ	8		
C FLA IN	65	V FLA IN	77	C FLA IN	44	V FLA IN	52		
C HP OUT	50	V HP OUT	60	C HP OUT	30	V HP OUT	40		
C KW OUT	37.3	V KW OUT	44.8	C KW OUT	22.4	V KW OUT	29.8		
C FLA OUT	65	V FLA OUT	77	C FLA OUT	44	V FLA OUT	52		
C PKA OUT	114	V PKA OUT	96	C PKA OUT	77	V PKA OUT	65		
ENCL	1	IEC	IP20						
UL	LISTED	CUL	LISTED	CE	COMPLIANT	FCC	NO	IEEE	NO
	IF 1Ø INPUT DERATE OUTPUT FLA	PATENT	-						
	TO 50% OF NAMEPLATE RATING								

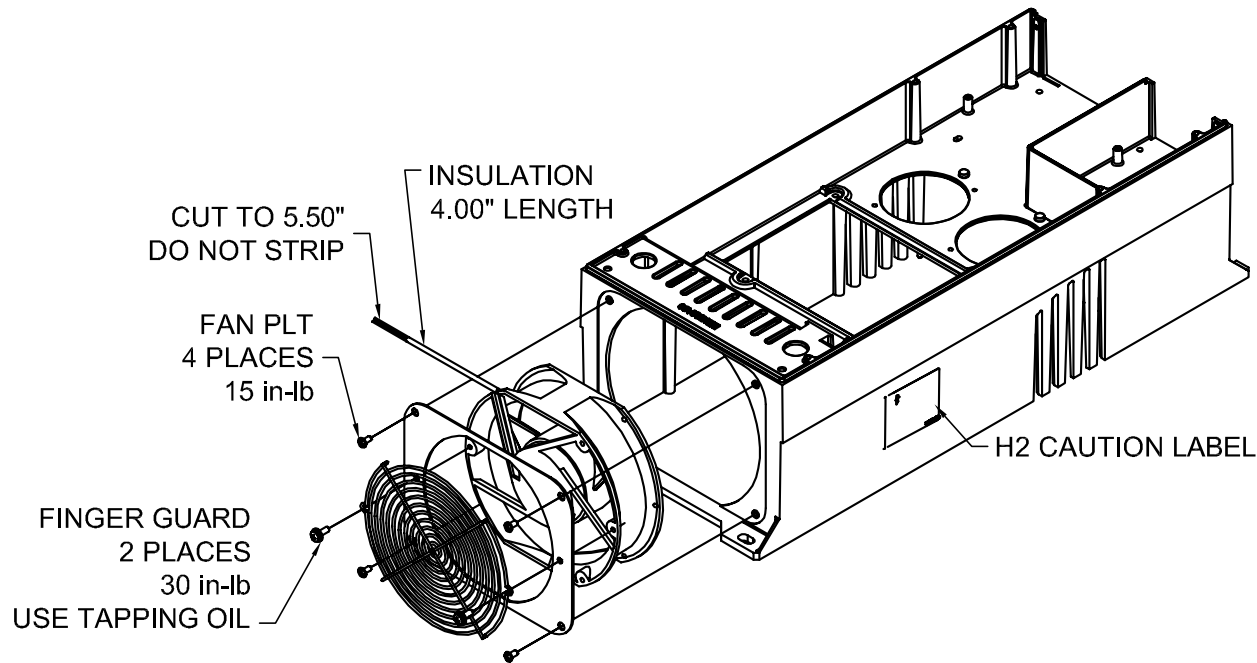
Parts List		
Part Number	Description	Quantity
15XD0619A04	PLASTITE 48-2, 6-19, PAN HEAD,1/4" LONG	2.000 EA
15XN0632A06	6-32X3/8 PH PAN HD MACHINE ZINC SC	3.000 EA
15XN0832A06	SCREW 8/32 X 3/8-PHIL.PANHEAD MACHINE-ZI	4.000 EA
15XW0632A05	#6-32X5/16,PAN HD PH,TRILOBETAPTITE ZINC	9.000 EA
15XW0832A08	PAN HEAD, 8-32 TAPTITE, 1/2" ZINC	4.000 EA
26XN0632A06	6-32X3/8 PH PAN HD MACH. ZINC W/SQ. CONE	5.000 EA
26XN0832A08	8-32X1/2 PH PAN HD MACH. ZINC W/SQ. CONE	12.000 EA
26XN0832A12	SCREW, SEMS-TYPE, PHILLIPS HEAD, 8-32 X	2.000 EA
26XN1032A08	10-32X1/2 PH PAN HD MACH.ZINC W/SQ. CONE	7.000 EA
26XN1032A10	10-32X5/8 PH PAN HD MACH.ZINC W/SQ. CONE	4.000 EA
26XW1032A08	10-32 X 1/2 PHILLIPS HEAD TAPTITE-II (SI	2.000 EA
BE0521A00	H2 CONTROLLER BASE	1.000 EA
BE0521A01	H2 CONTROLLER TOP	1.000 EA
BE0522A00	H2 ALUMINUM CASTING ENCLOSURE	1.000 EA
BE0523A00	H2 C SIZE COVER	1.000 EA
CC0001A10SP	CAP ASSEMBLY FOR BUS CAP 2700 UF, 420VDC	2.000 EA
EB0489A00	H2 KEYPAD TO CONTROL BOARD ADAPTER BOARD	1.000 EA
EB0490A04SP	CONTROL BOARD,H2,CLOSED LOOP	1.000 EA
EB0491B11	POWER BOARD,H2C,480V,50HP	1.000 EA
EB0492B00	POWER INPUT BOARD,H2C	1.000 EA
EB0493A00SP	ENCODER FEEDBACK BOARD,H2	1.000 EA
EF0079A02	FAN,24VDC,172X150X50.8MM,302CFM	1.000 EA
EH0011A00	H2 BACK PLATE	1.000 EA
EH0011A01	H2 POWER CONDUIT PLATE	1.000 EA

Parts List (continued)		
Part Number	Description	Quantity
EH0011A02	H2 FAN PLATE	1.000 EA
EH0011A03	H2 CONTROL CONDUIT PLATE	1.000 EA
EH0011A04	H2 CONTROL UNIT MOUNTING PLATE	1.000 EA
EH0011A06	H2 RESISTOR MOUNTING BRACKET	1.000 EA
EH0011A15	H2 CLAMP CONTROL WIRE	3.000 EA
FI0041A01	FILTER 460VAC .01/1/MOV	1.000 EA
FM702WARR	H2 Warranty Registration 8/11	1.000 EA
HS0001A15	H2-C BONDED FIN HEATSINK	1.000 EA
HW3001A01	D3019 BRASS WASHER(STIMP)	1.000 EA
HY01276A-01	HEAT SINK CLIP AAVID 115000F00000	1.000 EA
KP0029A04SP	VS KEYPAD BLACK,STD SOFTWARE	1.000 EA
LB0170A01	BOX LABEL, 6 X 6, BLANK,WHITE	1.000 EA
LB0188A01	VS H2 B/C/D VECTOR COVER LABEL	1.000 EA
LB0093A00	WARNING HIGH VOLTAGE,H2,ENGLISH/SPANISH	1.000 EA
LB1272A01	LABEL 460V CAUTION ORANGE	0.002 BX
LD0096A00	H2 KEYPAD BUCKET TO CONTROL BOARD CABLE	1.000 EA
LD0097A00	H2 KEYPAD TO KEYPAD BUCKET CABLE	1.000 EA
LR0001A07	H2 LINE REACTOR 50HP, 480VAC	1.000 EA
MH0001A63	LEXAN FOR H2-B & C BOARD PROTECTION	1.000 EA
MH0001A65	H2-C BOARD PROTECTION LEFT SIDE	1.000 EA
MH0001A66	H2-C BOARD PROTECTION RIGHT SIDE	1.000 EA
MH0001A68	H2 NOMEK FOR BOTTOM SIDE OF CASTING	1.000 EA
MH4049A01	INSULATE SLEEVE NATURAL #6 BEN HAR ACRYL	0.330 FT
MN765	VS1GV Closed Vector 10/11	1.000 EA

Parts List (continued)		
Part Number	Description	Quantity
MS765	VS1GV Wallchart 7/10	1.000 EA
NP1876	H2 NAMEPLATE FOR PM,SD,SP & GV DRIVES	1.000 EA
PA2000A00	H2-B & C PACKAGING KIT	1.000 EA
RR0240A01	RESISTOR DYNAMIC BRAKE, H2 B 60/60 OHMS	1.000 EA
TL2000A00	H2 TECHNICIANS BLADE SCREW DRIVER/YELLOW	1.000 EA
TM0001A04	H2 SIL-PAD 900S FOR FET MOUNTING	1.000 EA
TM0011A01	H2-C THERMAL PAD	1.000 EA
TP0021A01	H2 TEMP. SENSOR PROBE ASSY.	1.000 EA
V6950407	FINGER GUARD, 6 IN. NIDEC 30714; FU	1.000 EA
WD0004A00	SANTOPRENE GROMMET FOR 28.3MM HOLE	3.000 EA
WD0004A01	SANTOPRENE GROMMET FOR43.4MM HOLE(1.701)	3.000 EA
WD0004A02	PRESS FIT PIN PFP-7-01	1.000 EA
LB0001A76	H2 CAUTION LABEL FOR EARTHING CONDUCTOR	1.000 EA

Accessories		
Part Number	Description	Multiplier
SW0115A26	ZHH-1.25	P1

AY2000A00



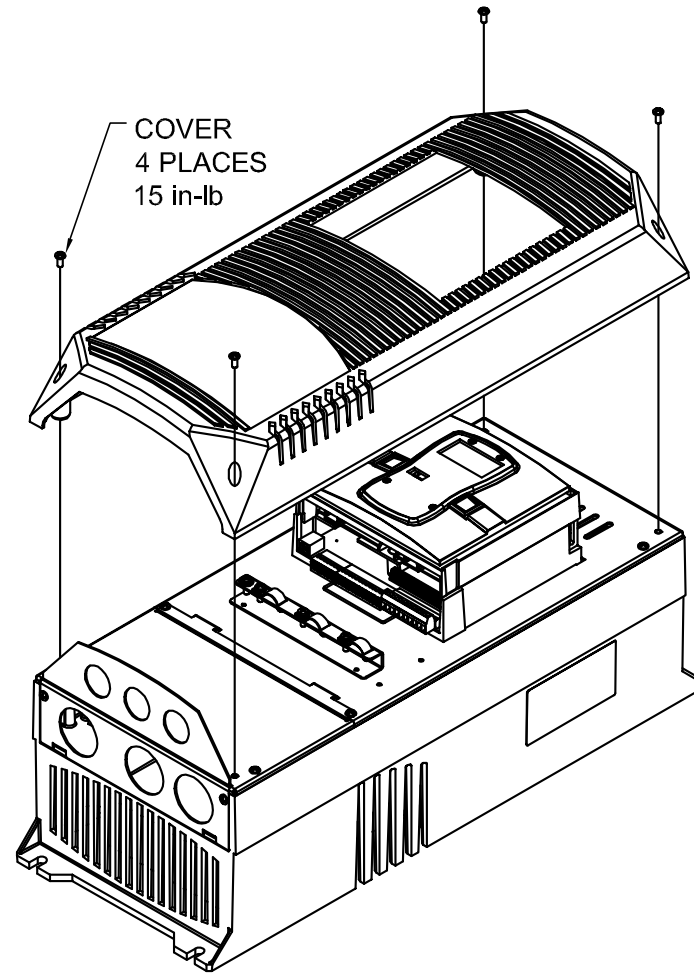
REV. DESC: UPDATE TORQUE FOR 3-5IN LBS TO BE (REF) TORQUE		
REV. LTR: G	VERSION 07	TDR: 000000420937
00V000ZLV	FILE: \MSA\00000\884	REVISED: 10:36:31 02/09/2007
	MTL: -	BY: ENJIMDO

**BALDOR ELECTRIC Co.**

H2-C ASSEMBLY AND TORQUE DRAWING

AY2000A00

AY2000A00



REV. DESC: UPDATE TORQUE FOR 3-5IN LBS TO BE (REF) TORQUE		
REV. LTR: G	VERSION 07	TDR: 000000420937
00V0002AA	FILE: \MSA\00000\884	REVISED: 10:36:33 02/09/2007
	MTL: -	BY: ENJIMDO

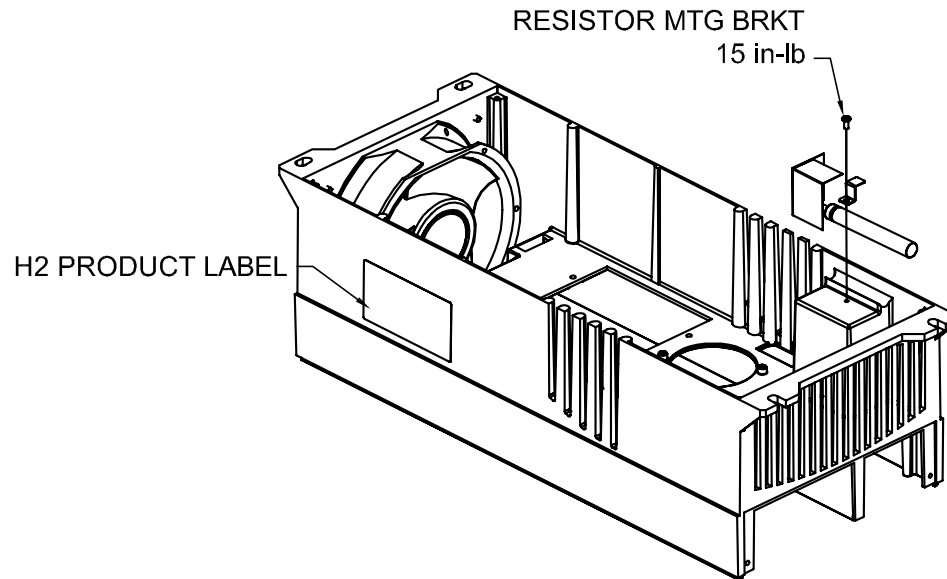
**BALDOR ELECTRIC Co.**

H2-C ASSEMBLY AND TORQUE DRAWING

AY2000A00



AY2000A00



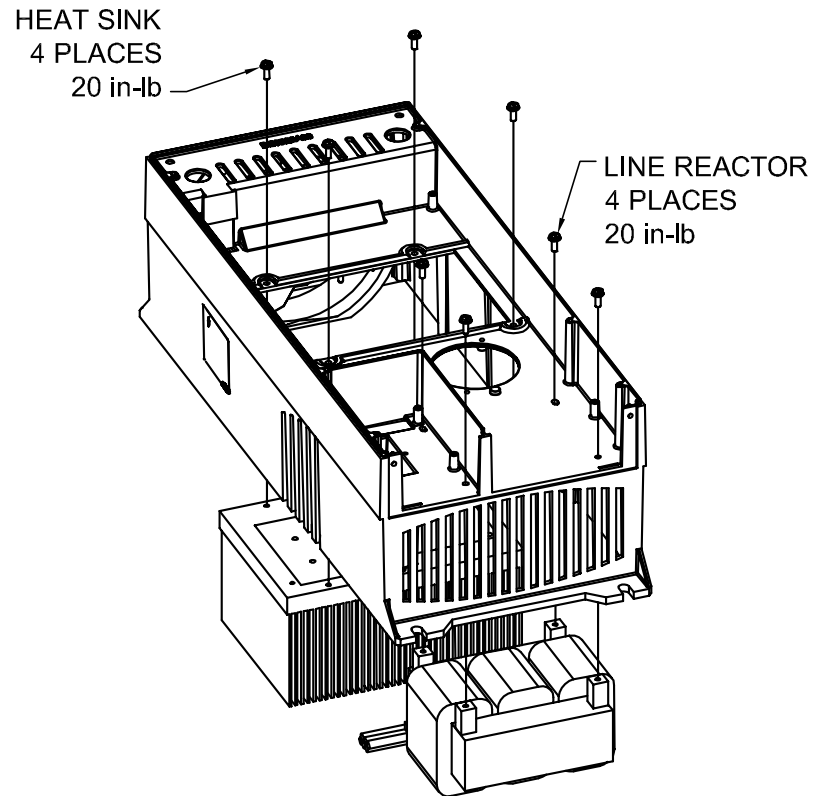
REV. DESC: UPDATE TORQUE FOR 3-5IN LBS TO BE (REF) TORQUE		
REV. LTR: G	VERSION 07	TDR: 000000420937
00V000ZLV	FILE: \MSA\00000\884	REVISED: 10:36:34 02/09/2007
	MTL: -	BY: ENJIMDO

**BALDOR ELECTRIC Co.**

H2-C ASSEMBLY AND TORQUE DRAWING

AY2000A00

AY2000A00



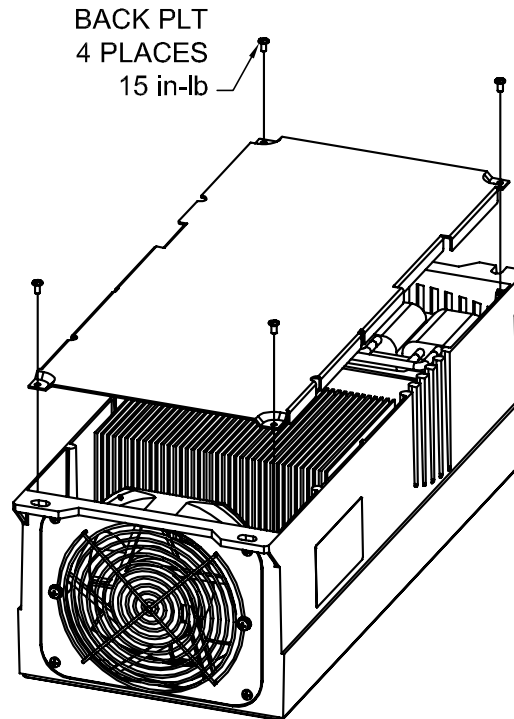
REV. DESC: UPDATE TORQUE FOR 3-5IN LBS TO BE (REF) TORQUE		
REV. LTR: G	VERSION 07	TDR: 000000420937
00V000ZLV	FILE: \MSA\00000\884	REVISED: 10:36:35 02/09/2007
	MTL: -	BY: ENJIMDO

**BALDOR ELECTRIC Co.**

H2-C ASSEMBLY AND TORQUE DRAWING

AY2000A00

AY2000A00



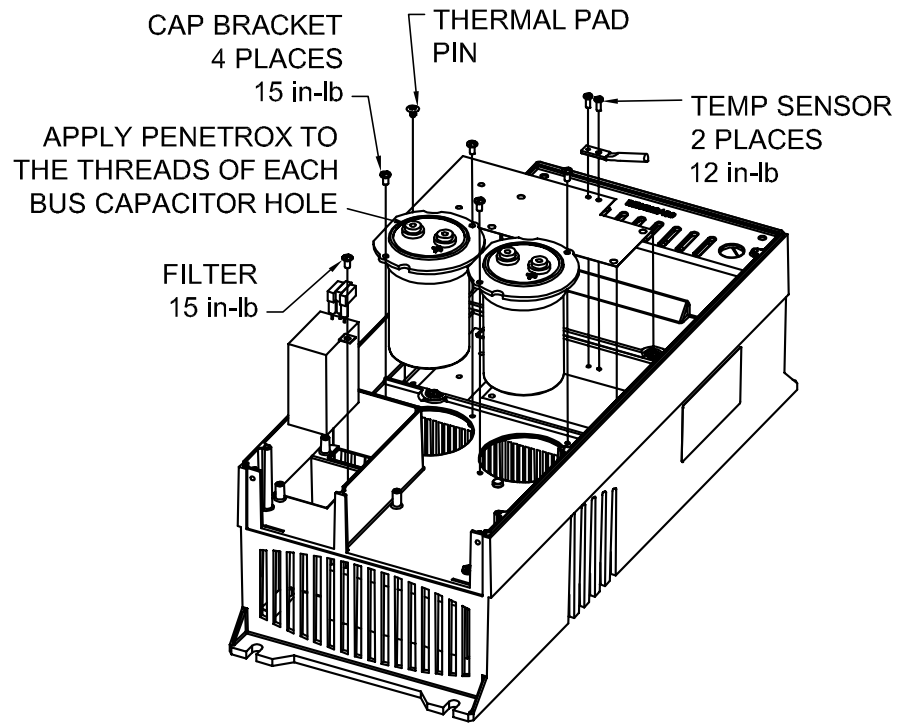
REV. DESC: UPDATE TORQUE FOR 3-5IN LBS TO BE (REF) TORQUE		
REV. LTR: G	VERSION 07	TDR: 000000420937
AY2000A00	FILE: \MSA\00000\884	REVISED: 10:36:36 02/09/2007
	MTL: -	BY: ENJIMDO

**BALDOR ELECTRIC Co.**

H2-C ASSEMBLY AND TORQUE DRAWING

AY2000A00

AY2000A00



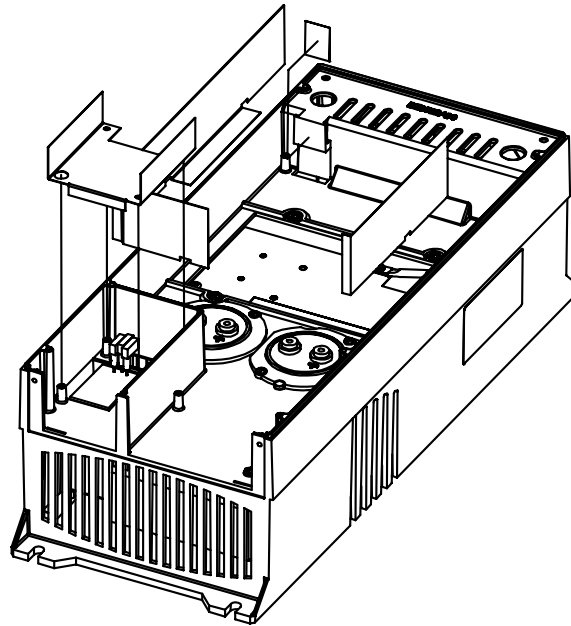
REV. DESC: UPDATE TORQUE FOR 3-5IN LBS TO BE (REF) TORQUE		
REV. LTR: G	VERSION 07	TDR: 000000420937
00V000ZLV	FILE: \MSA\00000\884	REVISED: 10:36:37 02/09/2007
	MTL: -	BY: ENJIMDO

**BALDOR ELECTRIC Co.**

H2-C ASSEMBLY AND TORQUE DRAWING

AY2000A00

AY2000A00



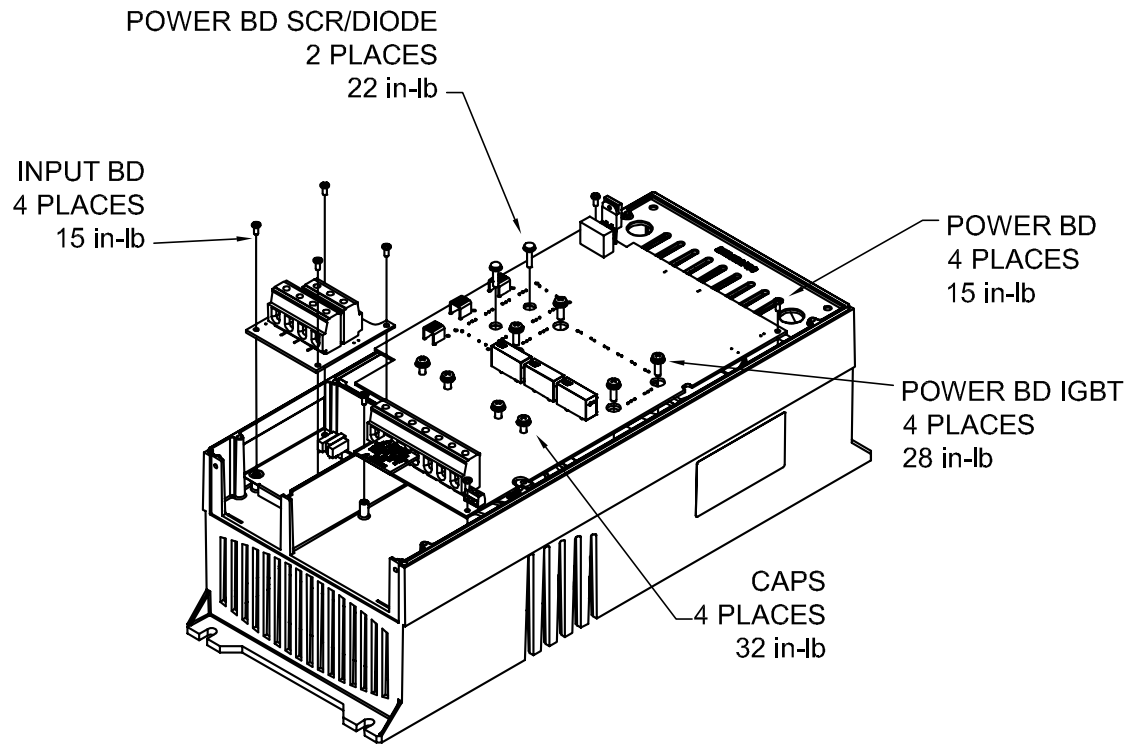
AY2000A00

REV. DESC: UPDATE TORQUE FOR 3-5IN LBS TO BE (REF) TORQUE		
REV. LTR: G	VERSION 07	TDR: 000000420937
00V000ZLV	FILE: \MSA\00000\884	REVISED: 10:36:38 02/09/2007
	MTL: -	BY: ENJIMDO

**BALDOR ELECTRIC Co.**

H2-C ASSEMBLY AND TORQUE DRAWING

AY2000A00



REV. DESC: UPDATE TORQUE FOR 3-5IN LBS TO BE (REF) TORQUE		
REV. LTR: G	VERSION 07	TDR: 000000420937
00V000ZLV	FILE: \MSA\00000\884	REVISED: 10:36:39 02/09/2007
	MTL: -	BY: ENJIMDO

**BALDOR ELECTRIC Co.**

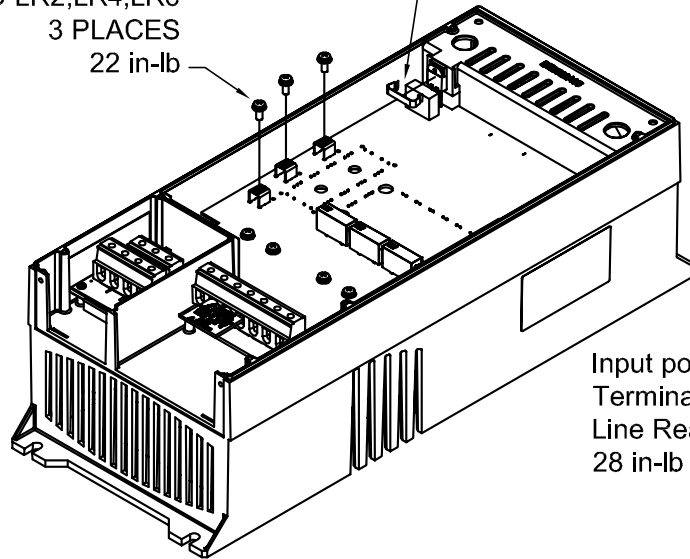
H2-C ASSEMBLY AND TORQUE DRAWING

AY2000A00

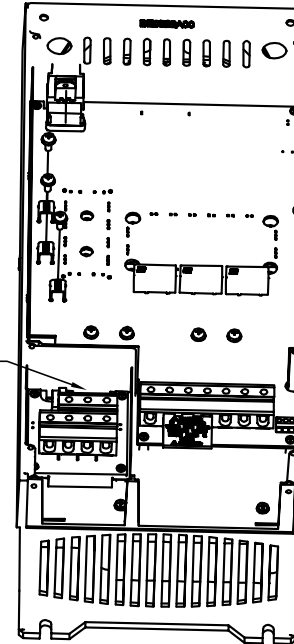
AY2000A00

POWER BD FET  
CLIP NEAR CENTER  
OF FET MODULE

POWER BD LR2,LR4,LR6  
3 PLACES  
22 in-lb



Input power board  
Terminal block  
Line Reactor side  
28 in-lb



Motor Thermal  
Terminal Block  
Reference Torque  
3-5 in-lb

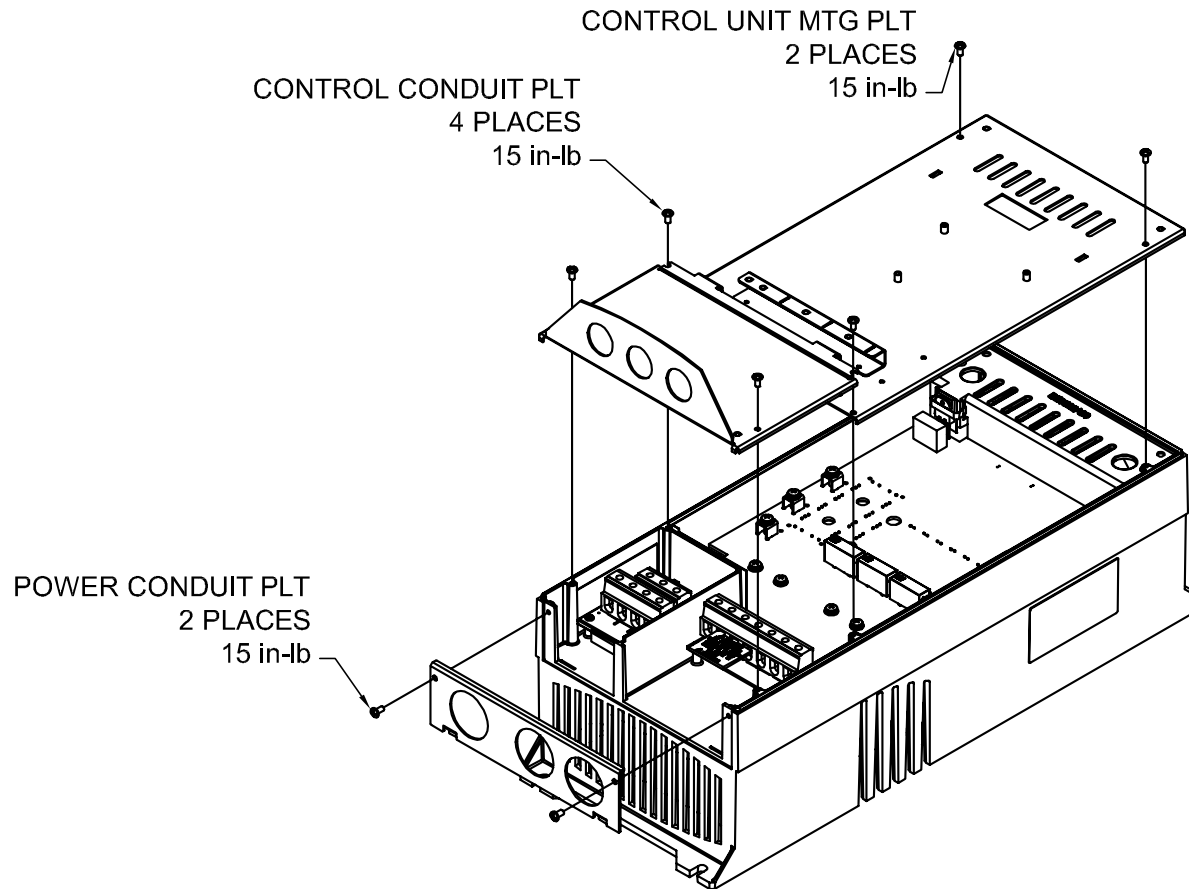
REV. DESC: UPDATE TORQUE FOR 3-5IN LBS TO BE (REF) TORQUE			
REV. LTR: G	VERSION 07	TDR: 000000420937	
00V0002AA	FILE: \MSA\00000\884	REVISED: 10:36:40 02/09/2007	
	MTL: -	BY: ENJIMDO	

**BALDOR ELECTRIC Co.**

H2-C ASSEMBLY AND TORQUE DRAWING

AY2000A00

AY2000A00



AY2000A00

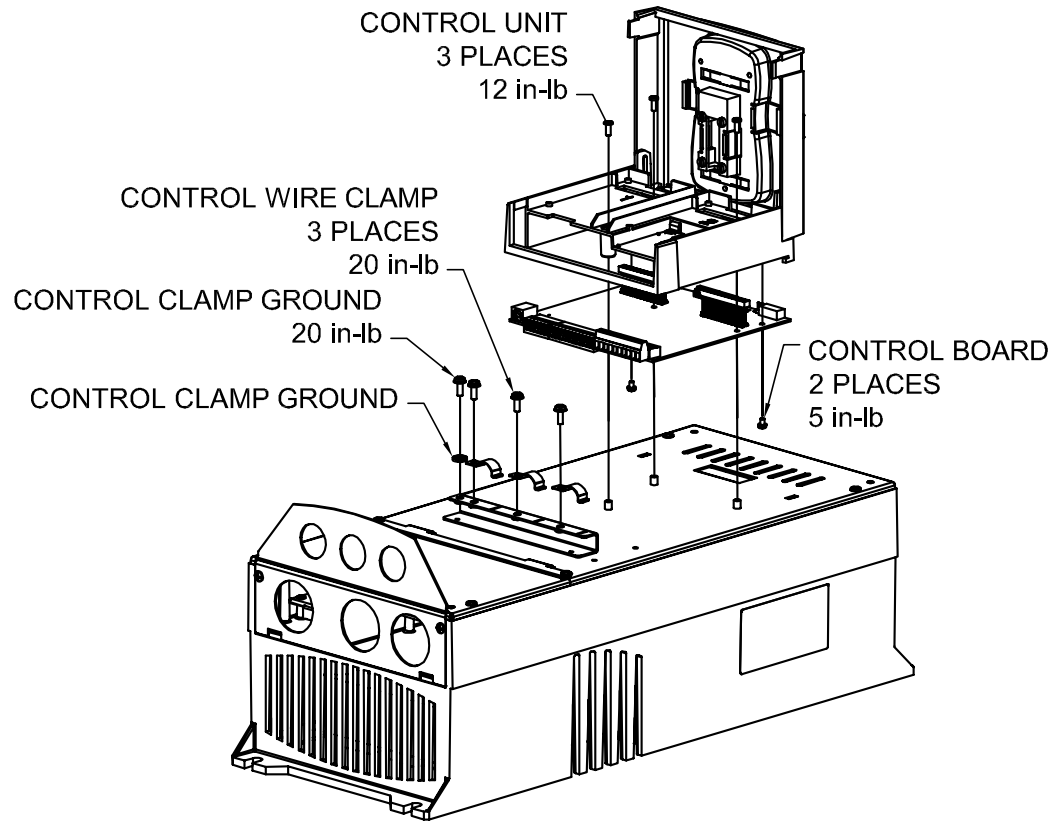
REV. DESC: UPDATE TORQUE FOR 3-5IN LBS TO BE (REF) TORQUE		
REV. LTR: G	VERSION 07	TDR: 000000420937
00V000ZLV	FILE: \MSA\00000\884	REVISED: 10:36:41 02/09/2007
	MTL: -	BY: ENJIMDO

**BALDOR ELECTRIC Co.**

H2-C ASSEMBLY AND TORQUE DRAWING



AY2000A00



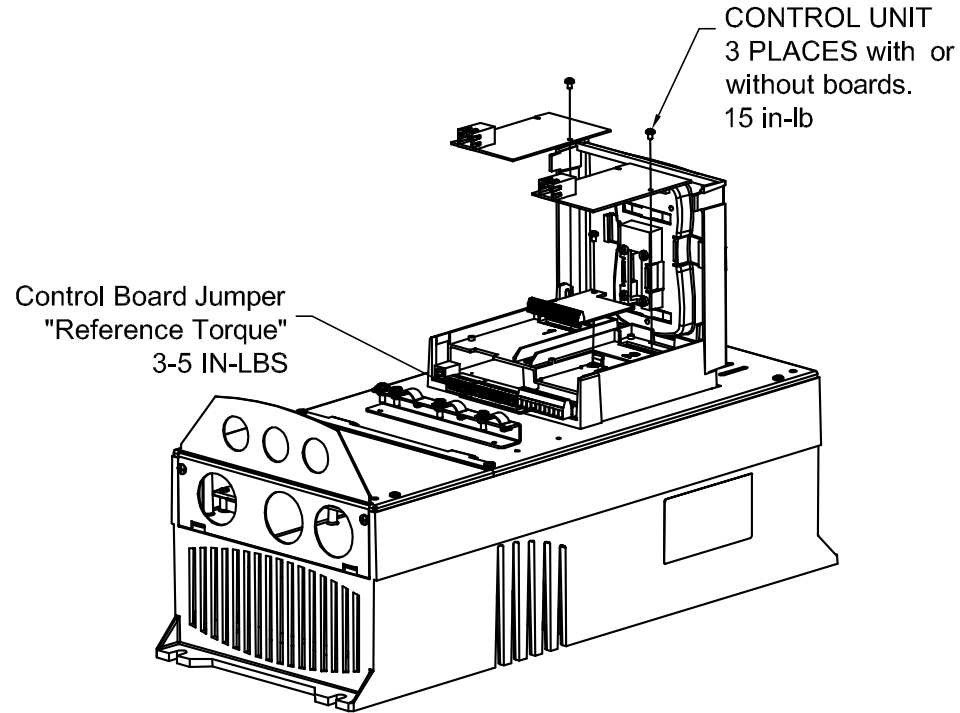
REV. DESC: UPDATE TORQUE FOR 3-5IN LBS TO BE (REF) TORQUE		
REV. LTR: G	VERSION 07	TDR: 000000420937
00V000ZLV	FILE: \MSA\00000\884	REVISED: 10:36:42 02/09/2007
	MTL: -	BY: ENJIMDO

**BALDOR ELECTRIC Co.**

H2-C ASSEMBLY AND TORQUE DRAWING

AY2000A00

AY2000A00



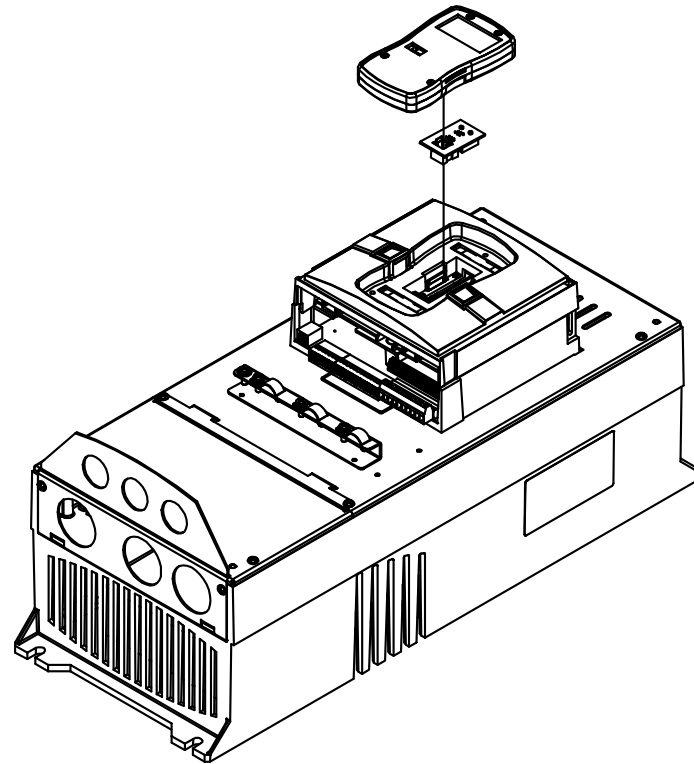
AY2000A00

REV. DESC: UPDATE TORQUE FOR 3-5IN LBS TO BE (REF) TORQUE		
REV. LTR: G	VERSION 07	TDR: 000000420937
00V000ZLV	FILE: \MSA\00000\884	REVISED: 10:36:43 02/09/2007
	MTL: -	BY: ENJIMDO

**BALDOR ELECTRIC Co.**

H2-C ASSEMBLY AND TORQUE DRAWING

AY2000A00



AY2000A00

REV. DESC: UPDATE TORQUE FOR 3-5IN LBS TO BE (REF) TORQUE			
REV. LTR: G	VERSION 07	TDR: 000000420937	
00V0002AV	FILE: \MSA\00000\884	REVISED: 10:36:44 02/09/2007	
	MTL: -	BY: ENJIMDO	

**BALDOR ELECTRIC Co.**

H2-C ASSEMBLY AND TORQUE DRAWING

