

BALDOR® • RELIANCE

Product Information Packet

VS1GV475-1B

VS1GV-D,480AC,3PH,75HP

Copyright © All product information within this document is subject to Baldor Electric Company copyright © protection, unless otherwise noted.

Nameplate NP1876									
CAT.NO.	VS1GV475-1B								
SER.NO									
SPEC.	VE2044A11								
IN VAC	480	IN PH	3	IN HZ	50/60				
OUT VAC	480	OUT PH	3	OUT HZ	0-500				
		S PWM KHZ	2.5			Q PWM KHZ	8		
C FLA IN	96	V FLA IN	124	C FLA IN	77	V FLA IN	96		
C HP OUT	75	V HP OUT	100	C HP OUT	60	V HP OUT	75		
C KW OUT	56	V KW OUT	74.6	C KW OUT	44.8	V KW OUT	56		
C FLA OUT	96	V FLA OUT	124	C FLA OUT	77	V FLA OUT	96		
C PKA OUT	168	V PKA OUT	155	C PKA OUT	135	V PKA OUT	120		
ENCL	1	IEC	IP20						
UL	LISTED	CUL	LISTED	CE	COMPLIANT	FCC	NO	IEEE	NO
	-	PATENT	-						

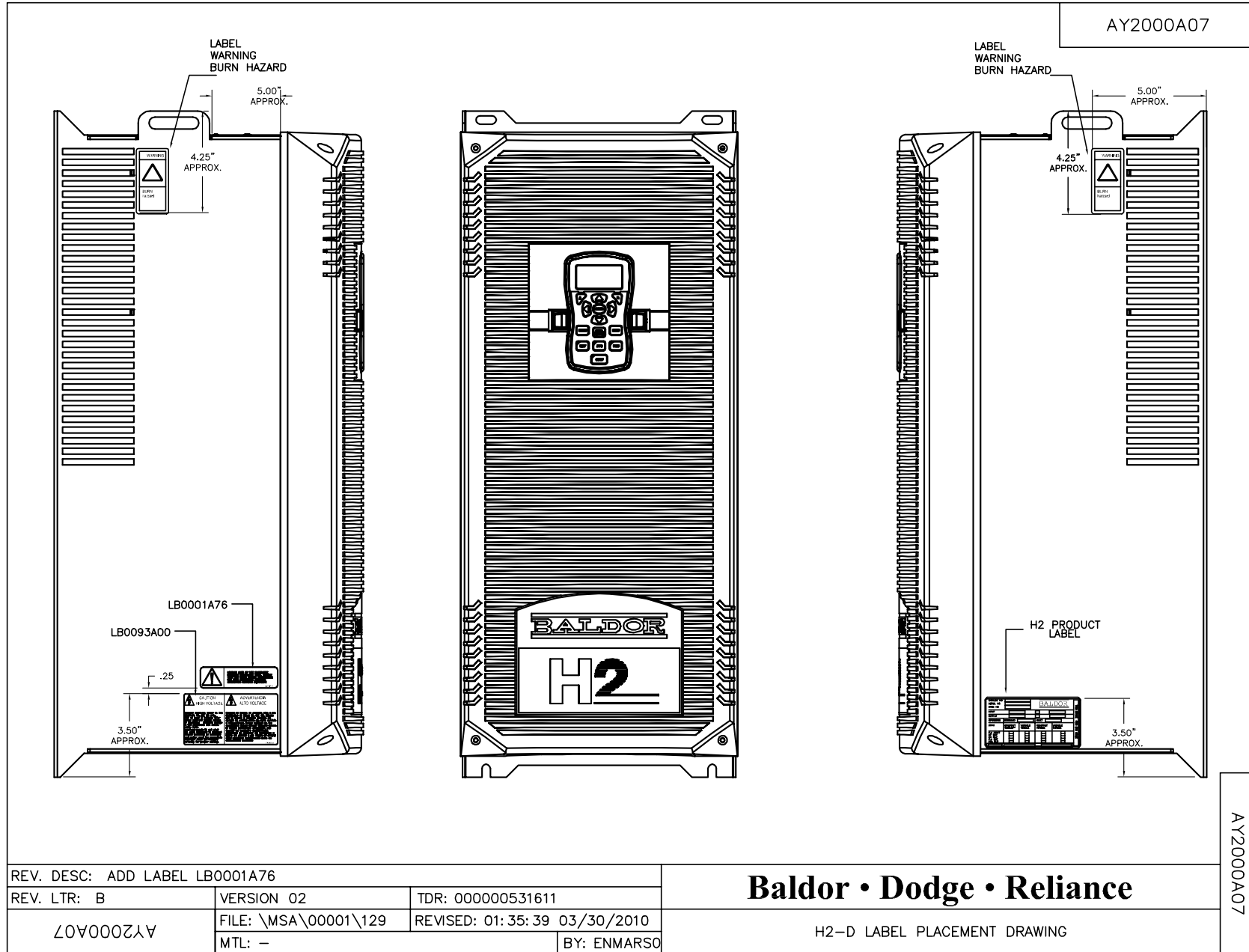
Parts List		
Part Number	Description	Quantity
15XD0619A04	PLASTITE 48-2, 6-19, PAN HEAD,1/4" LONG	2.000 EA
15XN0440A16	4-40 X 1.0 PH PAN HD MACHINE ZINC	2.000 EA
15XN0632A06	6-32X3/8 PH PAN HD MACHINE ZINC SC	3.000 EA
15XN0832A06	SCREW 8/32 X 3/8-PHIL.PANHEAD MACHINE-ZI	4.000 EA
15XW0832A05	PAN HEAD,8-32 TAPTITE,5/16" ZINC	4.000 EA
26XN0632A06	6-32X3/8 PH PAN HD MACH. ZINC W/SQ. CONE	15.000 EA
26XN0832A08	8-32X1/2 PH PAN HD MACH. ZINC W/SQ. CONE	36.000 EA
26XN1032A08	10-32X1/2 PH PAN HD MACH.ZINC W/SQ. CONE	49.000 EA
26XW1032A08	10-32 X 1/2 PHILLIPS HEAD TAPTITE-II (SI	8.000 EA
HW7013A16	M5X.8X16 PHIL PAN HEAD SEMS W/SPLIT&10OD	20.000 EA
26YN00040A012S	M4X12 PAN HD PHILLIPS SEMS,WITH SQUARE C	6.000 EA
BB0007A00	H2-D BUS BAR FOR BUS CONNECTION.	2.000 EA
BB0007A01	H2-D BUS BAR FOR SKIIP CONNECTION.	3.000 EA
BE0521A00	H2 CONTROLLER BASE	1.000 EA
BE0521A01	H2 CONTROLLER TOP	1.000 EA
BE0550A00	H2-D PLASTIC COVER	1.000 EA
CC0001A12	CAP,ALE,2900UF,420VDC,-10+20%,75C,STUD	6.000 EA
DI0012A31	THYRISTOR/DIODE MODULE	3.000 EA
EB0489A00	H2 KEYPAD TO CONTROL BOARD ADAPTER BOARD	1.000 EA
EB0490A04SP	CONTROL BOARD,H2,CLOSED LOOP	1.000 EA
EB0493A00SP	ENCODER FEEDBACK BOARD,H2	1.000 EA
EB0546B04	H2D INTERFACE BOARD,480V,75HP	1.000 EA
EB0540B00	BRAKE,IGBT PERSONALITY BOARD, H2	1.000 EA
EB0625A00	H2-D, CAP BOARD, 480V	1.000 EA

Parts List (continued)		
Part Number	Description	Quantity
EH0011A15	H2 CLAMP CONTROL WIRE	3.000 EA
EF0079A05	FAN,24VDC,172X150X50.8MM,302CFM W/CONN.	2.000 EA
FI0046A01	MOV ASSY, H2 D, WYE/DELTA COMBO, 460VAC	1.000 EA
FM702WARR	H2 Warranty Registration 8/11	1.000 EA
HS0001A27	H2-D ALUMINUM SWAGED FIN HEATSINK	1.000 EA
HW1000A31	5/16 SAE FL WSHR NARROW, ID=.344, OD=.62	3.000 EA
HW1001A25	LOCKWASHER 1/4, ZINC PLT .493 OD, .255 I	2.000 EA
HW1001A31	LOCKWASHER 5/16, ZINC PLT.591 OD, .319 I	3.000 EA
HW2102A07	STANDOFF,8MM HEX,M/F,L=17MM, NYLON	6.000 EA
HW2107A02	STANDOFF,1/4HEX,F/F,6-32,.625,BRASS/NICK	4.000 EA
KT0102A01	H2D SHEET METAL KIT	1.000 EA
LB0093A00	WARNING HIGH VOLTAGE,H2,ENGLISH/SPANISH	1.000 EA
LB0188A01	VS H2 B/C/D VECTOR COVER LABEL	1.000 EA
LB0170A01	BOX LABEL, 6 X 6, BLANK,WHITE	1.000 EA
LB0001A68	H2-D LEXAN TERMINAL BLOCK LABEL FOR BUS	1.000 EA
LB0175A00	H2-D TERMINAL BLOCK LABEL SHEET	1.000 EA
LB0179A00	WARNING LABEL, BURN HAZARD TO NOT TOUCH	2.000 EA
LD0026A25	CABLE, SCR GATE DRIVE	1.000 EA
LD0026A05	H2-D CABLE FOR CAP BD. MC SENSE	1.000 EA
LD0026A06	H2-D CABLE FOR MOTOR OVERTEMP	1.000 EA
LD0026A07	H2-D FAN CABLE,MALE DISC,1061 UL,22 AWG	1.000 EA
LD0026A08	H2-D LINEREACTOR TO INTERFACE BD CABLE	1.000 EA
LD0026A09	H2-D LINEREACTOR TO L1,L2,&L3 TB CABLE	1.000 EA
LD0026A10	H2-D CABLE FOR T1,T2,&T3	1.000 EA

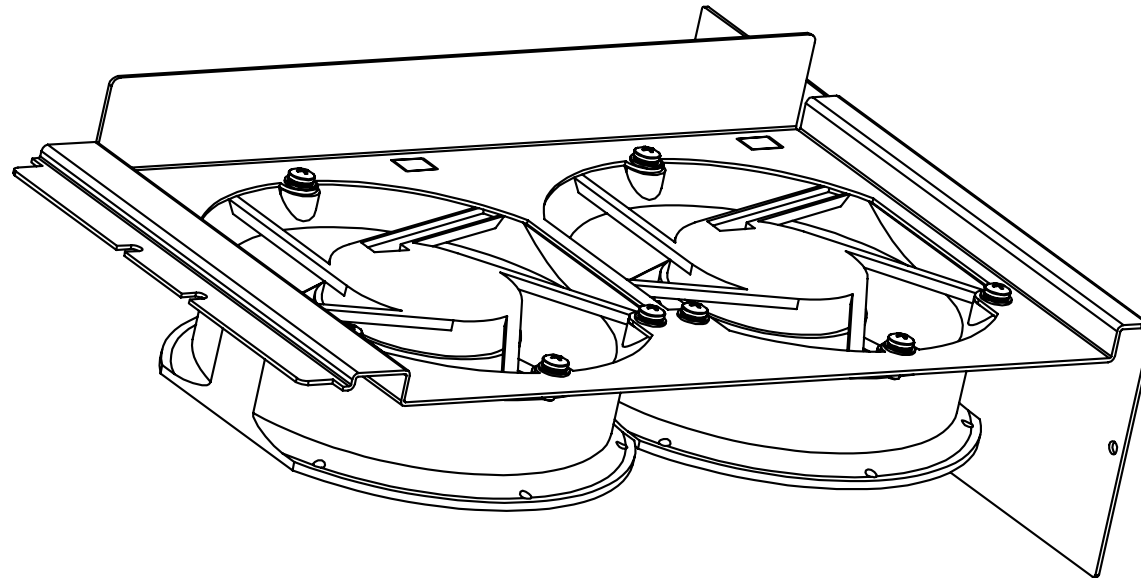
Parts List (continued)		
Part Number	Description	Quantity
LD0026A11	H2-D CABLE B+,B-, & R2	1.000 EA
LD0026A13	H2-D GROUND STRAP	1.000 EA
LD0096A00	H2 KEYPAD BUCKET TO CONTROL BOARD CABLE	1.000 EA
LD0097A00	H2 KEYPAD TO KEYPAD BUCKET CABLE	1.000 EA
LD6099A06	BUS INDICATOR ASSY,LED	1.000 EA
HW0037A00	MICROPLASTICS #22MP05006 PLUG	1.000 EA
HW3001A01	D3019 BRASS WASHER(STIMP)	1.000 EA
HW7011A16	M6X16,PHPN,SEM W/SPLIT 12.5 DIA. FLAT SC	24.000 EA
HW7013A12	M5X.8X12 PHIL PAN HEAD SEMS W/SPL&10ODFL	3.000 EA
KP0029A04SP	VS KEYPAD BLACK,STD SOFTWARE	1.000 EA
LR0001A21	H2-D REACTOR 100 AMP	1.000 EA
MN765	VS1GV Closed Vector 10/11	1.000 EA
MS765	VS1GV Wallchart 7/10	1.000 EA
MH0001A75	H2 NOMEX FOR MOV PACK F10037,39,&40	1.000 EA
MZ0003A01	NOMEX, 2"X2", ADHESIVE BACKED,WITH NOTCH	1.000 EA
MZ0003A00	NOMEX, 2"X2", ADHESIVE BACKED	1.000 EA
NP1876	H2 NAMEPLATE FOR PM,SD,SP & GV DRIVES	1.000 EA
RR0207A01	60 OHM 1500 WATT CARTRIDGE ASSEMBLY	1.000 EA
TB0256A02	NEUTRAL BAR, 4 POS, 2/0-14	1.000 EA
TB0265A00	POWER BLOCK,1 POLE,3/0-14AWG,200A,600V	6.000 EA
TB0256A01	POWER BLOCK,1 POLE,2/0-14AWG,175A,600V	3.000 EA
TL2000A00	H2 TECHNICIANS BLADE SCREW DRIVER/YELLOW	1.000 EA
TM0010A00	THERMAL PAD, 2.4 X 4.8, 4 HOLE	3.000 EA
TM0003A01	THER.SUBSTRATE AL370-134 FOR POWER BLOCK	4.000 EA

Parts List (continued)		
Part Number	Description	Quantity
TP0014A00	LINEAR TEMPERATURE SENSOR ASSY, 8.50 IN.	1.000 EA
TX0044A20	MODULE, 1200V 450A ASSEMBLY WITH BOARD	3.000 EA
TX0097A03	IGBT&DIODE,1.2KV,195A,FWD,HOLE,DRW	1.000 EA
V6360003	SOC HD CAP SCREW 1/4-20	2.000 EA
V6391206	HEX BOLT 5/16-18 X 3/4	3.000 EA
V6401308	NUT "K" TYPE 8-32	1.000 EA
V6910930	BUS BAR,SEMI 1 SEMIKEON 30092551	2.000 EA
WD0004A00	SANTOPRENE GROMMET FOR 28.3MM HOLE	3.000 EA
WD0004A03	SANTOPRENE GROMMET FOR34.6MM HOLE(1.362)	1.000 EA
WD0004A04	THERMOPLASTIC CONDUIT FITTING FOR 2.469	2.000 EA
LT0007A01	DOCUMENT PACKAGE-ENVELOPE BEC-134	1.000 EA
PK2000A04	H2-D PACKAGING BOX	1.000 EA
PK5027A01	WOODEN BASE ASSY, C-D RAC & E-SIZE DRIVE	1.000 EA
LB0001A76	H2 CAUTION LABEL FOR EARTHING CONDUCTOR	1.000 EA
10XL2510A24	1/4-10 X 1 1/2" LAG SCREW	4.000 EA
HW1000A25	1/4 SAE FLAT WASHER (FS)	4.000 EA

Accessories		
Part Number	Description	Multiplier
SW0115A26	ZHH-1.25	P1



AY2000A08



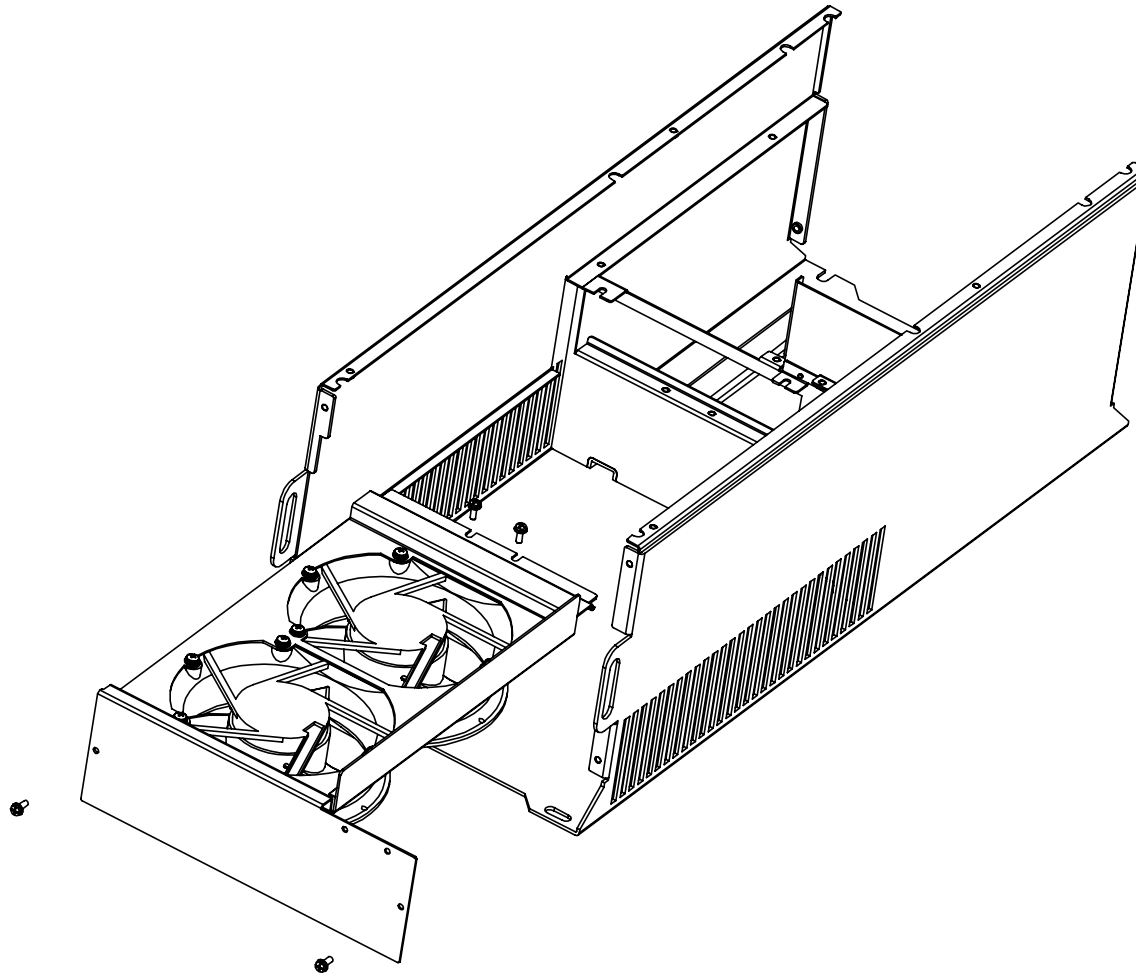
AY2000A08

REV. DESC: NEW			
REV. LTR: -	VERSION 00	TDR: 000000428784	
80V000ZLV	FILE: \MSA\00001\174	REVISED: 10:07:27 04/24/2007	
	MTL: -	BY: ENJIMDO	

BALDOR ELECTRIC Co.

H2-D ASSEMBLY DRAWING

AY2000A08



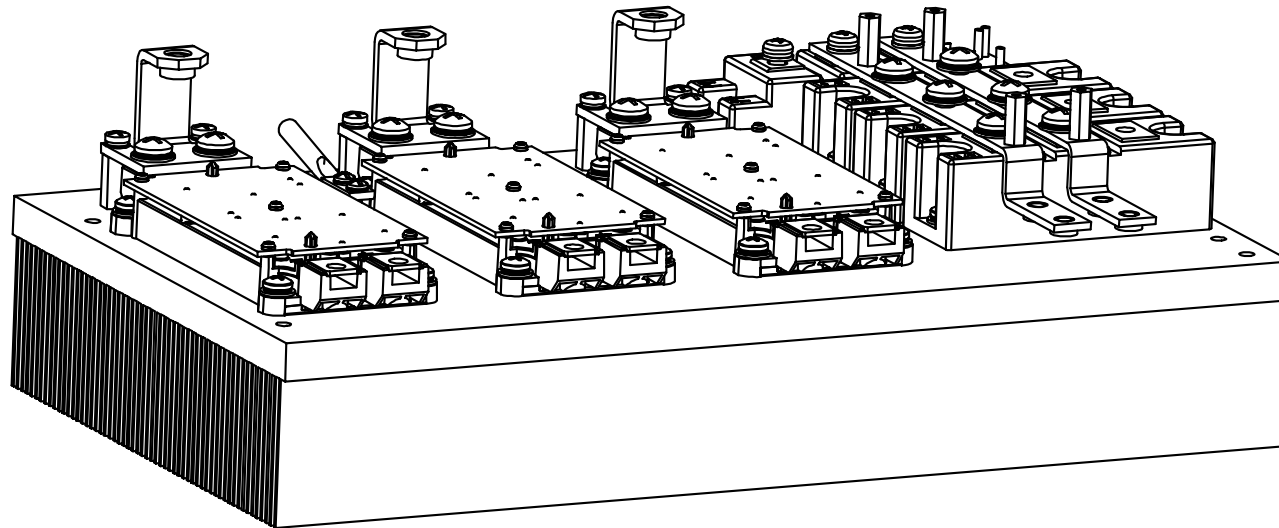
AY2000A08

REV. DESC: NEW			
REV. LTR: -	VERSION 00	TDR: 000000428784	
AY2000A08	FILE: \MSA\00001\174	REVISED: 10:07:29 04/24/2007	
	MTL: -	BY: ENJIMDO	

BALDOR ELECTRIC Co.

H2-D ASSEMBLY DRAWING

AY2000A08



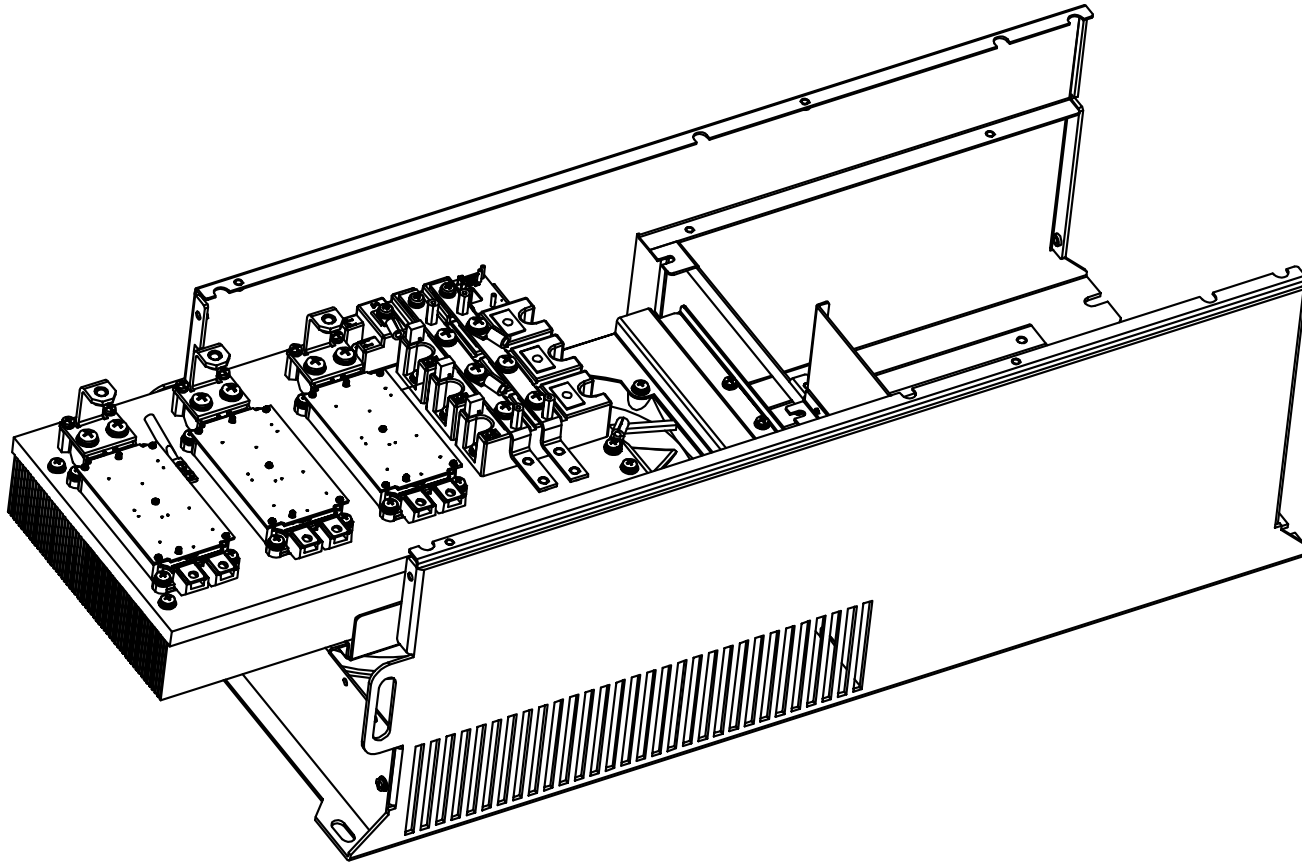
REV. DESC: NEW			
REV. LTR: -	VERSION 00	TDR: 000000428784	
80V000ZLV AY2000A08	FILE: \MSA\00001\174	REVISED: 10:07:32 04/24/2007	
	MTL: -	BY: ENJIMDO	

BALDOR ELECTRIC Co.

H2-D ASSEMBLY DRAWING

AY2000A08

AY2000A08



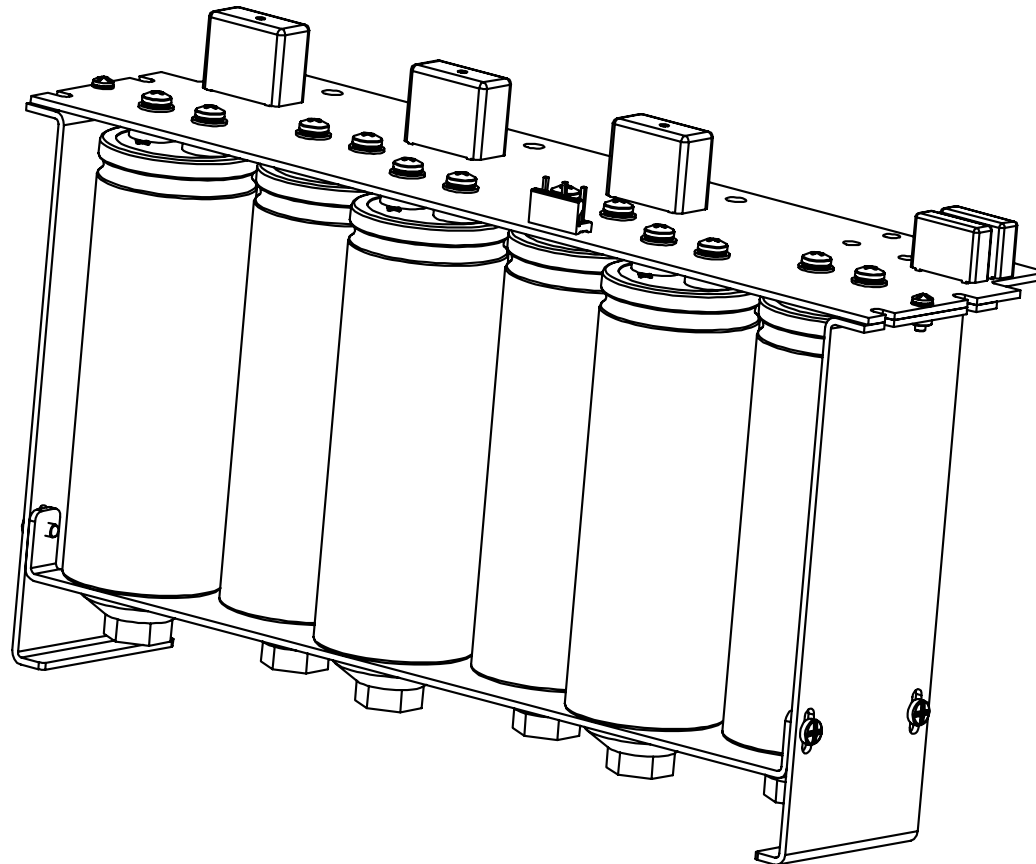
AY2000A08

REV. DESC: NEW			
REV. LTR: -	VERSION 00	TDR: 000000428784	
AY2000A08	FILE: \MSA\00001\174	REVISED: 10:07:34 04/24/2007	
	MTL: -	BY: ENJIMDO	

BALDOR ELECTRIC Co.

H2-D ASSEMBLY DRAWING

AY2000A08



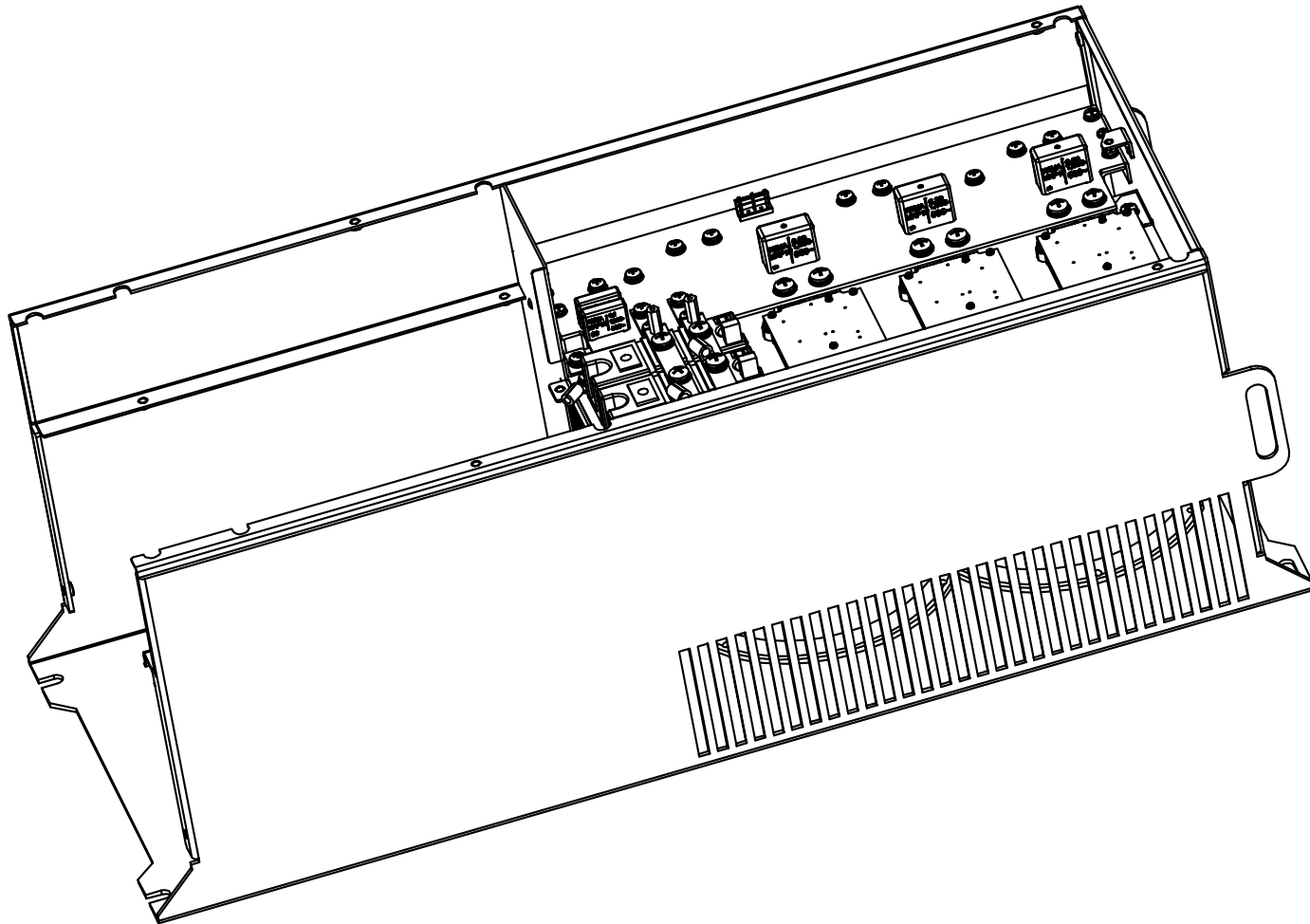
AY2000A08

REV. DESC: NEW			
REV. LTR: -	VERSION 00	TDR: 000000428784	
80V000ZLV AY2000A08	FILE: \MSA\00001\174	REVISED: 10:07:37 04/24/2007	
	MTL: -	BY: ENJIMDO	

BALDOR ELECTRIC Co.

H2-D ASSEMBLY DRAWING

AY2000A08



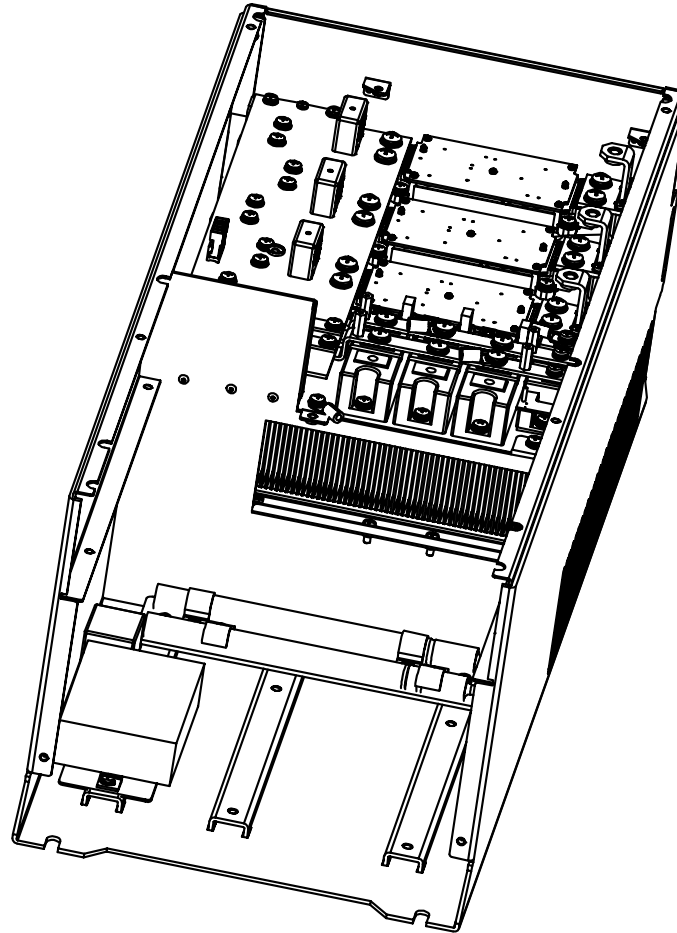
AY2000A08

REV. DESC: NEW	VERSION 00	TDR: 000000428784
REV. LTR: -	FILE: \MSA\00001\174	REVISED: 10:07:39 04/24/2007
AY2000A08	MTL: -	BY: ENJMDO

BALDOR ELECTRIC Co.

H2-D ASSEMBLY DRAWING

AY2000A08



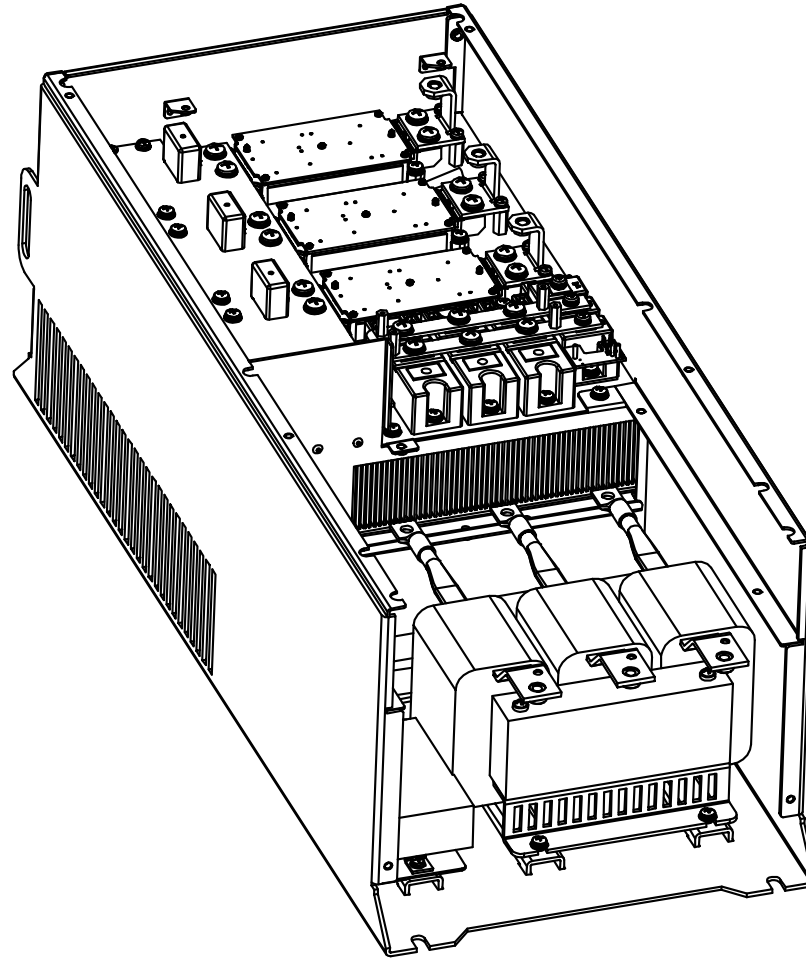
AY2000A08

REV. DESC: NEW			
REV. LTR: -	VERSION 00	TDR: 000000428784	
AY2000A08	FILE: \MSA\00001\174	REVISED: 10:07:42 04/24/2007	
	MTL: -	BY: ENJIMDO	

BALDOR ELECTRIC Co.

H2-D ASSEMBLY DRAWING

AY2000A08



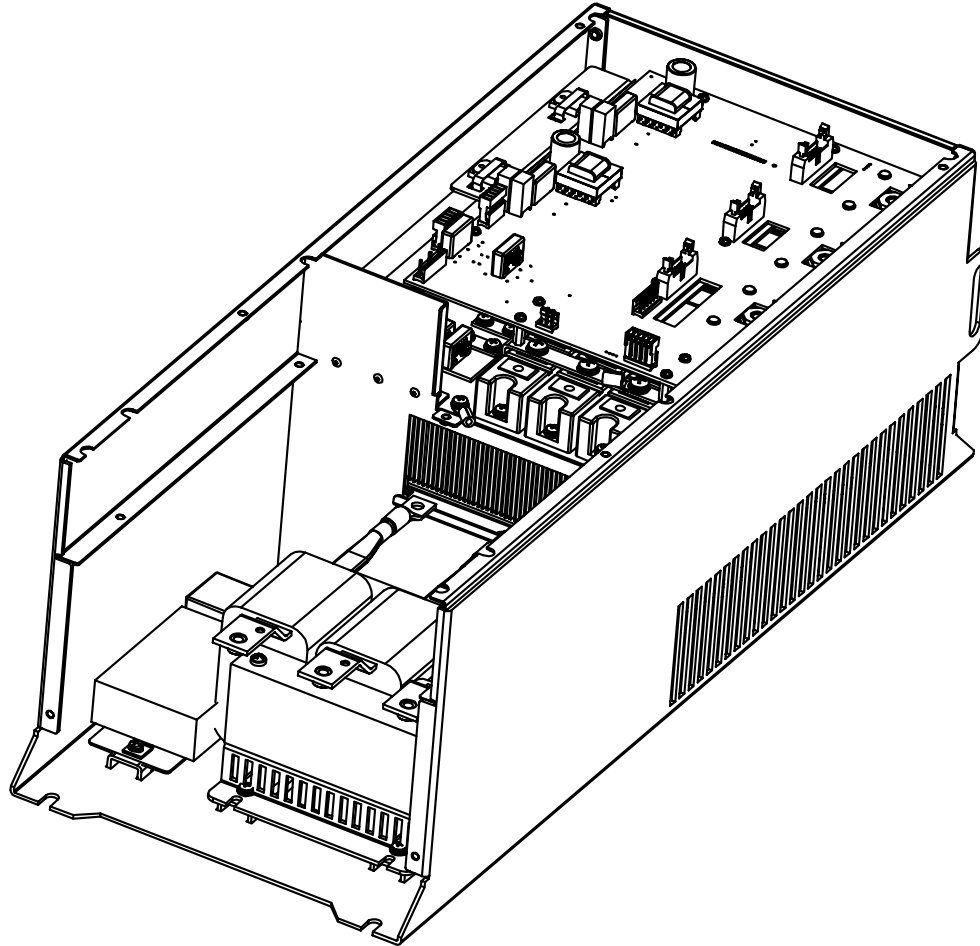
AY2000A08

REV. DESC: NEW	VERSION 00	TDR: 000000428784
REV. LTR: -	FILE: \MSA\00001\174	REVISED: 10:07:44 04/24/2007
AY2000A08	MTL: -	BY: ENJMDO

BALDOR ELECTRIC Co.

H2-D ASSEMBLY DRAWING

AY2000A08



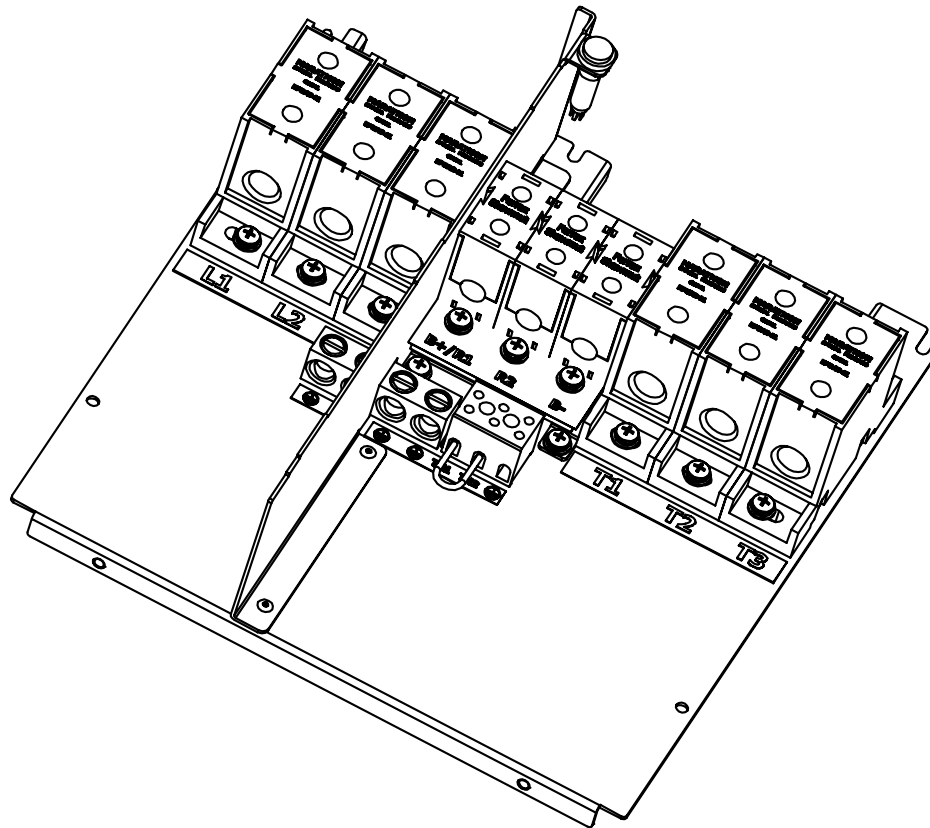
REV. DESC: NEW		
REV. LTR: -	VERSION 00	TDR: 000000428784
AY2000A08	FILE: \MSA\00001\174	REVISED: 10:07:47 04/24/2007
	MTL: -	BY: ENJIMDO

BALDOR ELECTRIC Co.

H2-D ASSEMBLY DRAWING

AY2000A08

AY2000A08



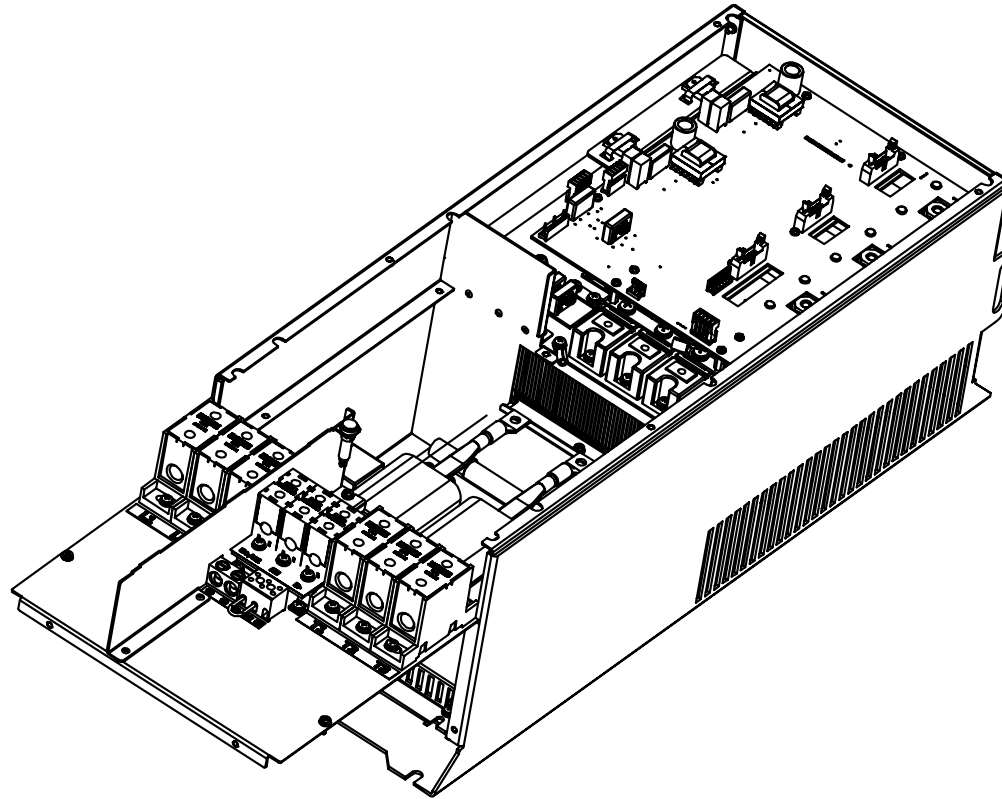
AY2000A08

REV. DESC: NEW			
REV. LTR: -	VERSION 00	TDR: 000000428784	
80V000ZLV AY2000A08	FILE: \MSA\00001\174	REVISED: 10:07:50 04/24/2007	
	MTL: -	BY: ENJMDO	

BALDOR ELECTRIC Co.

H2-D ASSEMBLY DRAWING

AY2000A08



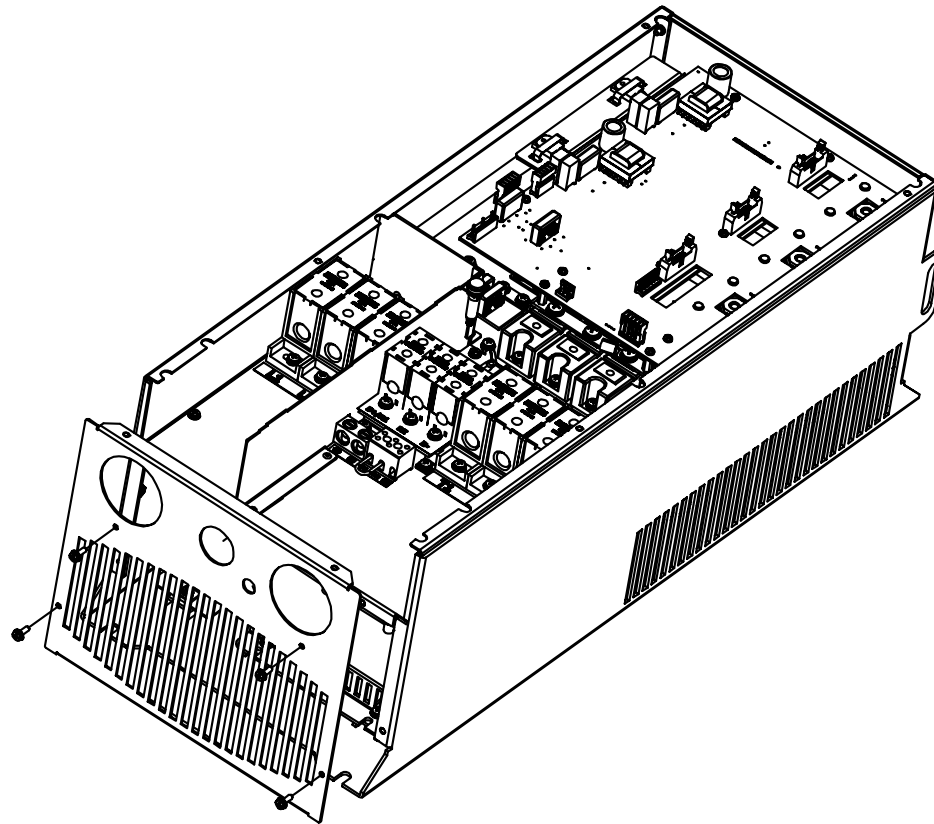
REV. DESC: NEW			
REV. LTR: -	VERSION 00	TDR: 000000428784	
AY2000A08	FILE: \MSA\00001\174	REVISED: 10:07:52 04/24/2007	
	MTL: -	BY: ENJIMDO	

BALDOR ELECTRIC Co.

H2-D ASSEMBLY DRAWING

AY2000A08

AY2000A08



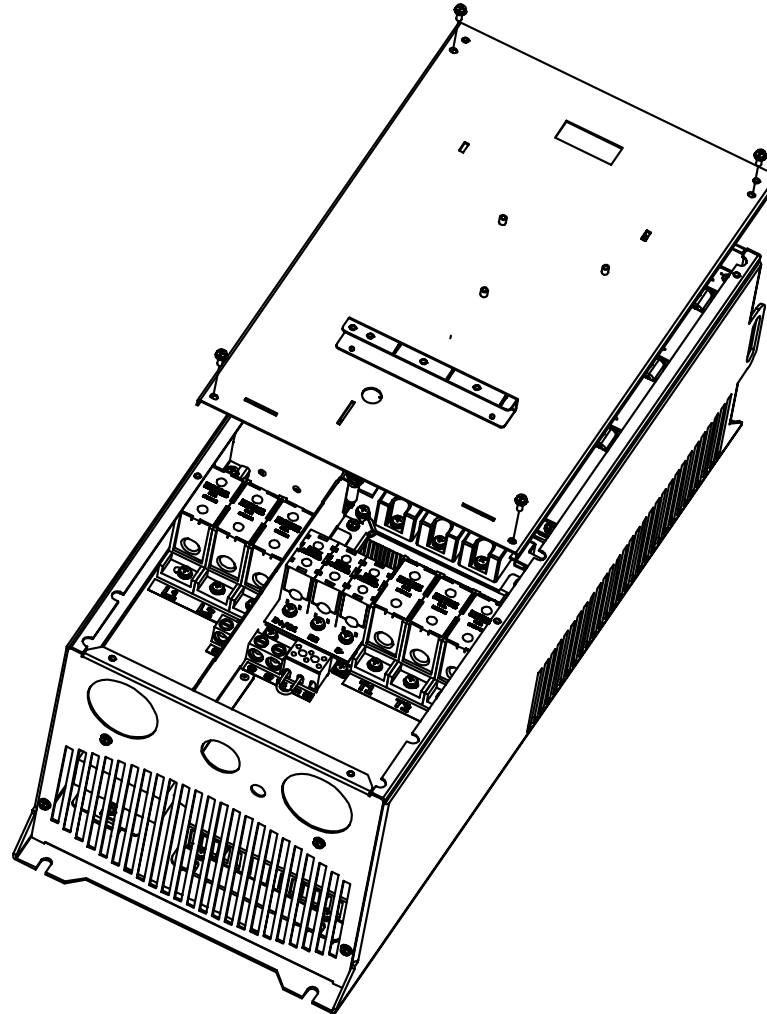
AY2000A08

REV. DESC: NEW			
REV. LTR: -	VERSION 00	TDR: 000000428784	
AY2000A08	FILE: \MSA\00001\174	REVISED: 10:07:55 04/24/2007	
	MTL: -	BY: ENJIMDO	

BALDOR ELECTRIC Co.

H2-D ASSEMBLY DRAWING

AY2000A08



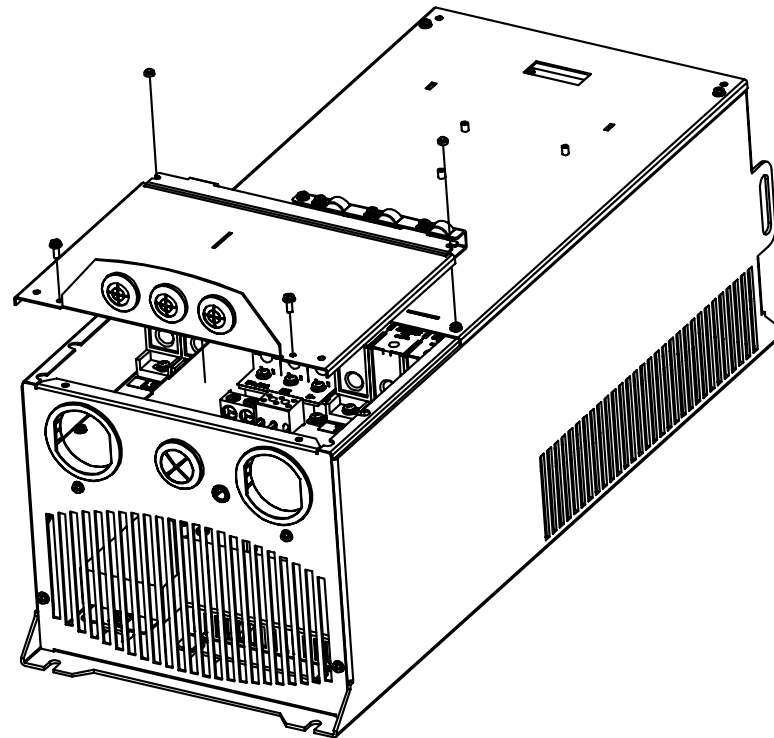
AY2000A08

REV. DESC: NEW			
REV. LTR: -	VERSION 00	TDR: 000000428784	
AY2000A08	FILE: \MSA\00001\174	REVISED: 10:07:58 04/24/2007	
	MTL: -	BY: ENJIMDO	

BALDOR ELECTRIC Co.

H2-D ASSEMBLY DRAWING

AY2000A08



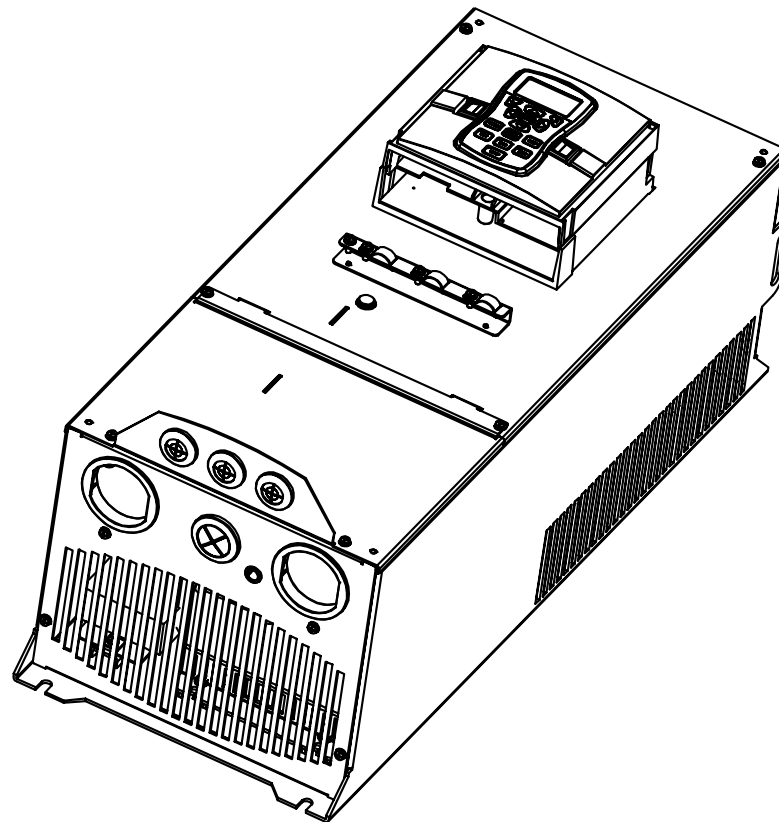
AY2000A08

REV. DESC: NEW		TDR: 000000428784	
REV. LTR: -	VERSION 00	REVISED: 10:08:01 04/24/2007	
80V000ZLV	FILE: \MSA\00001\174	BY: ENJIMDO	
AY2000A08	MTL: -		

BALDOR ELECTRIC Co.

H2-D ASSEMBLY DRAWING

AY2000A08



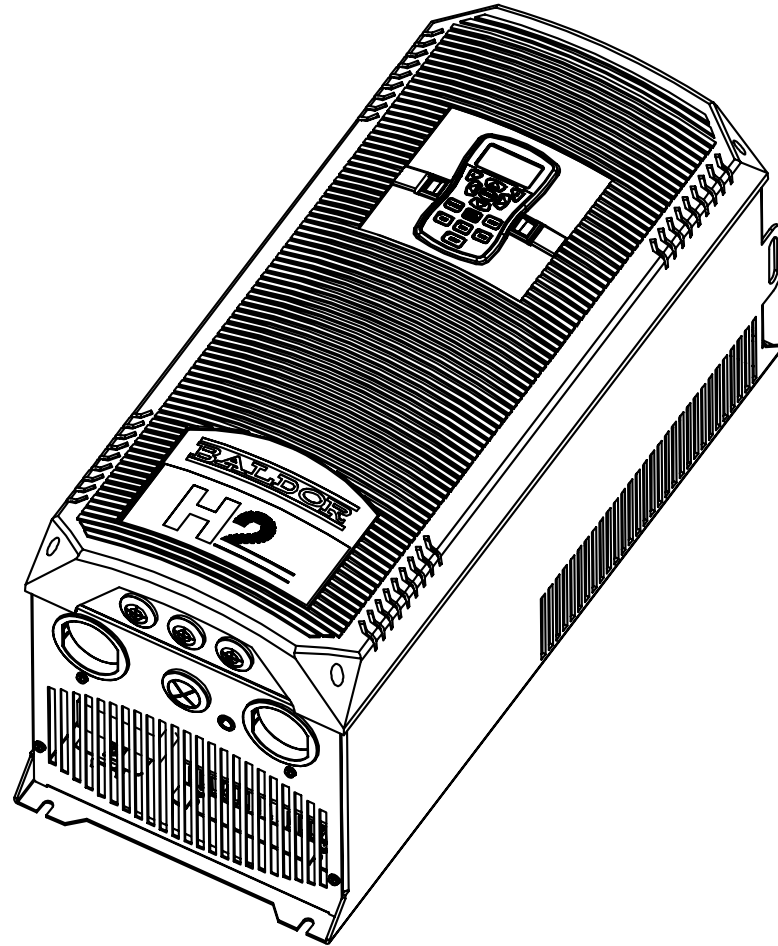
AY2000A08

REV. DESC: NEW			
REV. LTR: -	VERSION 00	TDR: 000000428784	
AY2000A08	FILE: \MSA\00001\174	REVISED: 10:08:03 04/24/2007	
	MTL: -	BY: ENJIMDO	

BALDOR ELECTRIC Co.

H2-D ASSEMBLY DRAWING

AY2000A08



AY2000A08

REV. DESC: NEW			
REV. LTR: -	VERSION 00	TDR: 000000428784	
80V0002LV AY2000A08	FILE: \MSA\00001\174	REVISED: 10:08:06 04/24/2007	
	MTL: -	BY: ENJIMDO	

BALDOR ELECTRIC Co.

H2-D ASSEMBLY DRAWING