

BALDOR® • **RELIANCE**

Product Information Packet

VSSWDM3538

.5HP, 1765RPM, 3PH, 60HZ, 56C, 3516M, TENV, F1

Copyright © All product information within this document is subject to Baldor Electric Company copyright © protection, unless otherwise noted.

| Part Detail | | | | | | | |
|-------------|------|-------------|-------|----------------|----------|---------------|------------|
| Revision: | E | Status: | PRD/A | Change #: | | Proprietary: | No |
| Type: | AC | Prod. Type: | 3516M | Elec. Spec: | 35WGM303 | CD Diagram: | |
| Enclosure: | TENV | Mfg Plant: | | Mech. Spec: | 35V824 | Layout: | |
| Frame: | 56C | Mounting: | F1 | Poles: | 04 | Created Date: | 11-24-2010 |
| Base: | N | Rotation: | R | Insulation: | F | Eff. Date: | 05-11-2012 |
| Leads: | 9#18 | Literature: | | Elec. Diagram: | | Replaced By: | |

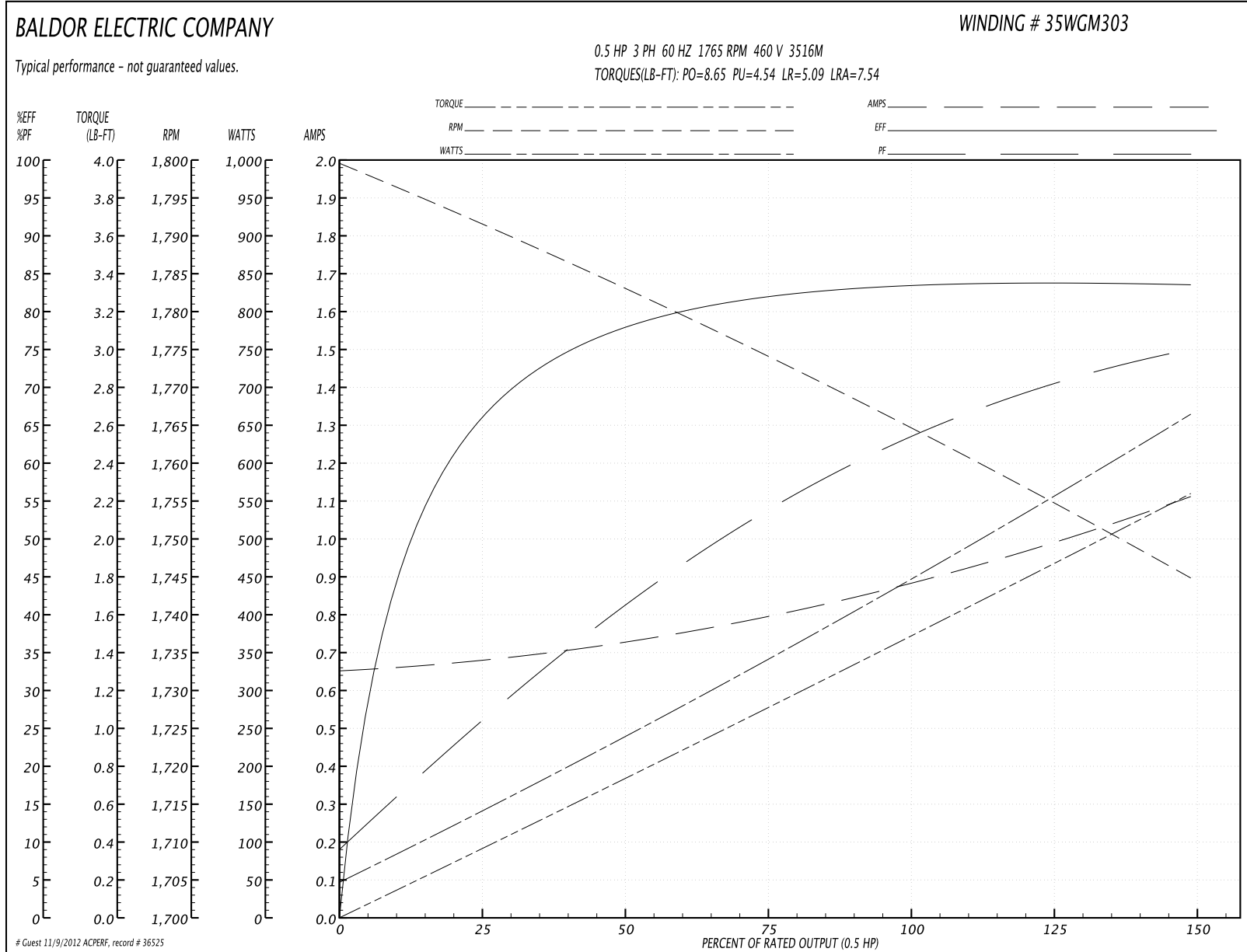
| Parts List | | |
|-------------|--|----------|
| Part Number | Description | Quantity |
| SA212870 | SA 35V824M303G1 | 1.000 EA |
| RA200099 | RA 35V824M303G1 | 1.000 EA |
| NS2512A01 | INSULATOR, CONDUIT BOX X | 1.000 EA |
| 35CB5001A08 | CONDUIT BOX KIT, S/P 9-2 (ALL STAINLESS) | 1.000 EA |
| 11XW1032G06 | 10-32 X .38, TAPTITE II, HEX WSHR SLTD U | 1.000 EA |
| HW3001B01 | 003SS CUP WASHER, FOR #8 SCREW | 1.000 EA |
| 35FE1913A01 | FR ENDPLATE ASSY | 1.000 EA |
| HW5100A03SP | WAVY WASHER (W1543-017) | 1.000 EA |
| 35PE1914A02 | PU EP ASSY. FOR LOCKED BRG | 1.000 EA |
| HW4606A02 | JM CLIPPER/SEAL (LWE-0938-1624-AL23) | 1.000 EA |
| 12XN1032S22 | 10-32 X 1 3/8 SLOT HEX, STAINLESS STEEL | 2.000 EA |
| HA1049A01 | DUBO LOK WASHER SIZE 10 (NYLON LOCK SEAL | 2.000 EA |
| HA1049A01 | DUBO LOK WASHER SIZE 10 (NYLON LOCK SEAL | 4.000 EA |
| HW2502D13 | SS KEY, 3/16 SQ X 1.375 | 1.000 EA |
| HA7000A04 | KEY RETAINER 0.625 DIA SHAFTS | 1.000 EA |
| MJ5001A02 | 732 CL SEALANT 3 OZ DIXIE BEARING 289100 | 0.001 EA |
| MJ1000A75 | GREASE, POLYREX EM EXXON | 0.050 LB |
| HA3100S45 | THRU BOLT HEX-HEAD 7.95 10-32 | 4.000 EA |
| LB1125C01 | STD (STOCK) CARTON LABEL BALDOR WITH FLA | 1.000 EA |
| 35PA1066 | PACKING GROUP COMBINED PRINT | 1.000 EA |
| PK3082 | STYROFOAM CRADLE | 1.000 EA |

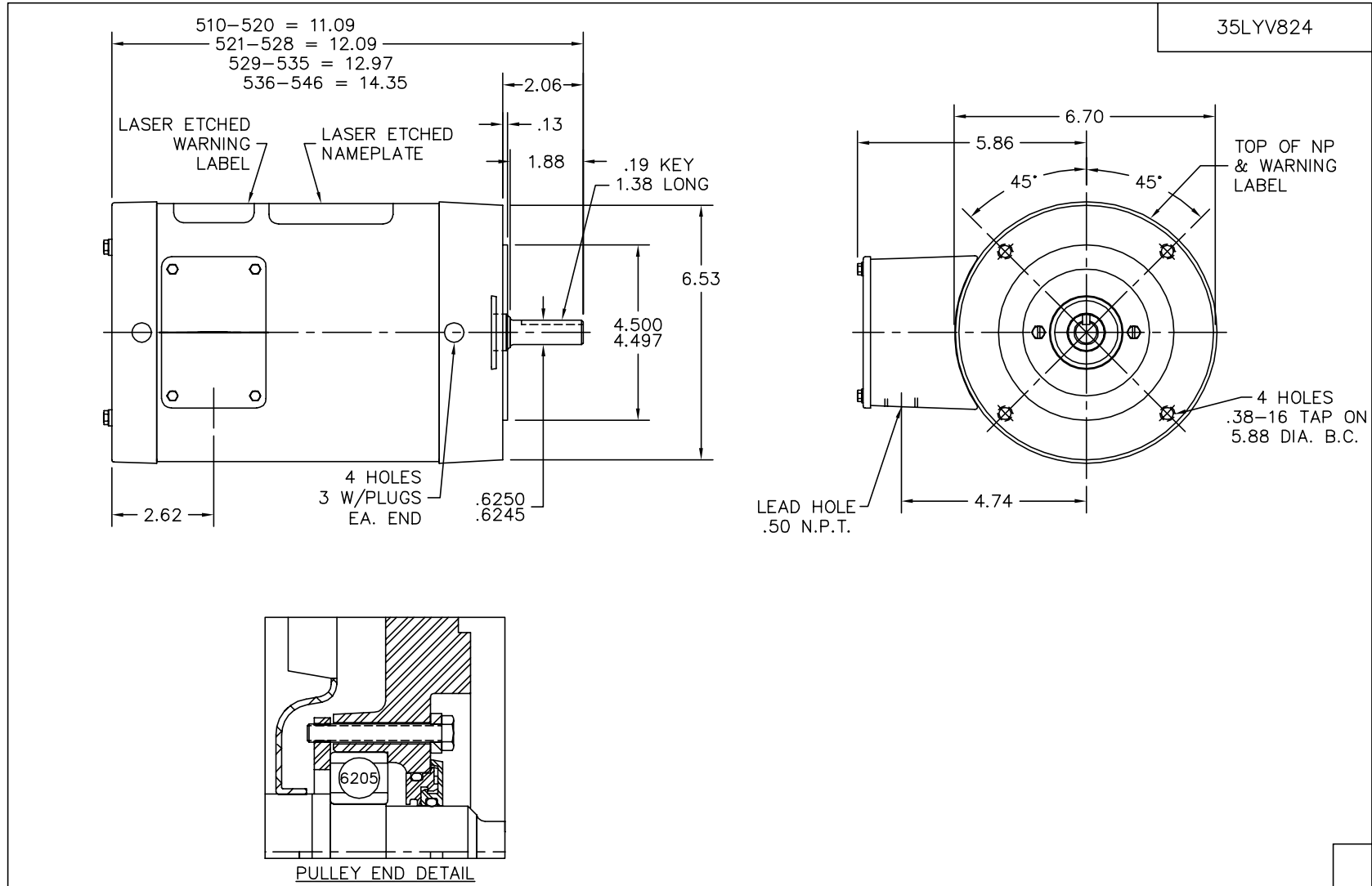
Performance Data at 460V, 60Hz, 0.5HP (Typical performance - Not guaranteed values)

| General Characteristics | | | |
|--------------------------|--------------------------------|----------------------|------------|
| Full Load Torque: | 1.49 LB-FT | Start Configuration: | DOL |
| No-Load Current: | 0.655 Amps | Break-Down Torque: | 8.65 LB-FT |
| Line-line Res. @ 25°C.: | 25.6 Ohms A Ph / 0.0 Ohms B Ph | Pull-Up Torque: | 4.54 LB-FT |
| Temp. Rise @ Rated Load: | | Locked-Rotor Torque: | 5.09 LB-FT |
| Temp. Rise @ S.F. Load: | | Starting Current: | 7.54 Amps |

| Load Characteristics | | | | | | | |
|----------------------|--------|--------|--------|--------|--------|--------|--------|
| % of Rated Load | 25 | 50 | 75 | 100 | 125 | 150 | S.F. |
| Power Factor: | 26.0 | 41.0 | 53.0 | 63.0 | 70.0 | 75.0 | 70.0 |
| Efficiency: | 65.0 | 77.6 | 81.5 | 83.8 | 84.0 | 83.4 | 84.0 |
| Speed: | 1793.0 | 1783.0 | 1774.0 | 1765.0 | 1755.0 | 1745.0 | 1755.0 |
| Line Amperes: | 0.674 | 0.725 | 0.793 | 0.885 | 0.986 | 1.11 | 0.986 |

Performance Graph at 460V, 60Hz, 0.5HP Typical performance - Not guaranteed values





CUSTOMER IS RESPONSIBLE FOR DETERMINING THAT MOTOR PERFORMANCE IS SUITABLE IN THE APPLICATION.

REV. DESC: ADD KOBX LOCATION DIMENSION

| | | |
|-------------|----------------------|------------------------------|
| REV. LTR: A | VERSION: 01 | TDR: 000000450943 |
| 4Z8VY7G | FILE: \AAA\00137\898 | REVISED: 06:24:20 12/07/2007 |
| | MTL: - | BY: ENCHECO |

Baldor • Dodge • Reliance

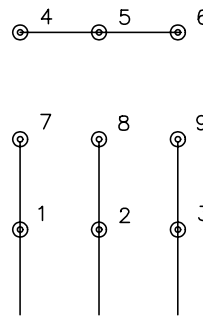
VERT 56C TENV 35M WD4 W/LOCKED PU BRG & LASER ETCHED BAND

35LYV824

CD0005

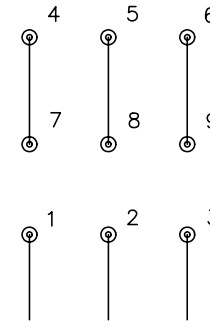


LOW VOLTAGE
(2Y)



LINE

HIGH VOLTAGE
(1Y)



LINE

NOTES:

1. INTERCHANGE ANY TWO LINE LEADS TO REVERSE ROTATION.
2. OPTIONAL THERMOSTATS ARE PROVIDED WHEN SPECIFIED.
3. ACTUAL NUMBER OF INTERNAL PARALLEL CIRCUITS MAY BE A MULTIPLE OF THOSE SHOWN ABOVE.
4. LEAD COLORS ARE OPTIONAL. LEADS MUST ALWAYS BE NUMBERED AS SHOWN.

| | | | |
|---|---------|-------------------------|--------------|
| REV. DESC: REVISE TO SHOW OPTIONAL COLORS | | | |
| REV. LTR: E | BY: JLP | REVISED: 01/19/99 10:15 | TDR: 0171435 |
| 90000 | | FILE: AAA00005140 | MDL: - |
| | | MTL: - | |

BALDOR ELECTRIC Co.

3PH, DV, 9 LEADS

CD0005