

# **BALDOR® • RELIANCE**

## **Product Information Packet**

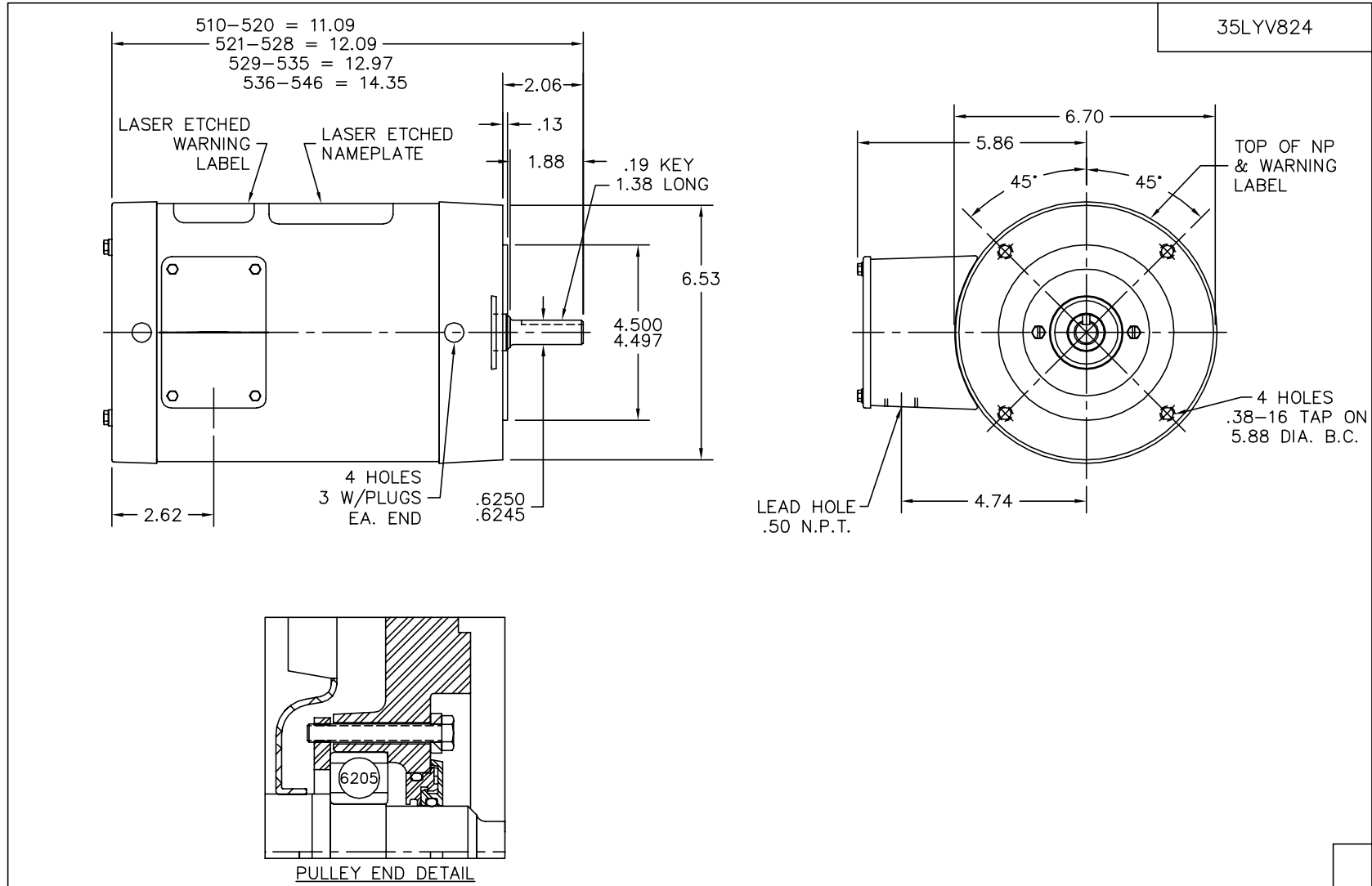
# **VSSWDM3541**

**.75HP,3450RPM,3PH,60HZ,56C,3518M,TENV,F1**

Copyright © All product information within this document is subject to Baldor Electric Company copyright © protection, unless otherwise noted.

Part Detail							
Revision:	R	Status:	PRD/A	Change #:		Proprietary:	No
Type:	AC	Prod. Type:	3518M	Elec. Spec:	35WGT097	CD Diagram:	
Enclosure:	TENV	Mfg Plant:		Mech. Spec:	35V824	Layout:	
Frame:	56C	Mounting:	F1	Poles:	02	Created Date:	06-22-2007
Base:	N	Rotation:	R	Insulation:	F	Eff. Date:	03-19-2012
Leads:	9#18	Literature:		Elec. Diagram:		Replaced By:	

Parts List		
Part Number	Description	Quantity
SA145418	SA 35V824T097	1.000 EA
RA134567	RA 35V824T097	1.000 EA
NS2512A01	INSULATOR, CONDUIT BOX X	1.000 EA
35CB5001A08	CONDUIT BOX KIT, S/P 9-2 (ALL STAINLESS)	1.000 EA
11XW1032G06	10-32 X .38, TAPTITE II, HEX WSHR SLTD U	1.000 EA
HW3001B01	003SS CUP WASHER, FOR #8 SCREW	1.000 EA
35FE1913A01	FR ENDPLATE ASSY	1.000 EA
HW5100A03SP	WAVY WASHER (W1543-017)	1.000 EA
35PE1914A02	PU EP ASSY. FOR LOCKED BRG	1.000 EA
HW4606A02	JM CLIPPER/SEAL (LWE-0938-1624-AL23)	1.000 EA
12XN1032S22	10-32 X 1 3/8 SLOT HEX, STAINLESS STEEL	2.000 EA
HA1049A01	DUBO LOK WASHER SIZE 10 (NYLON LOCK SEAL	2.000 EA
HA1049A01	DUBO LOK WASHER SIZE 10 (NYLON LOCK SEAL	4.000 EA
HW2502D13	SS KEY, 3/16 SQ X 1.375	1.000 EA
HA7000A04	KEY RETAINER 0.625 DIA SHAFTS	1.000 EA
MJ5001A02	732 CL SEALANT 3 OZ DIXIE BEARING 289100	0.001 EA
MJ1000A75	GREASE, POLYREX EM EXXON	0.050 LB
HA3100S45	THRU BOLT HEX-HEAD 7.95 10-32	4.000 EA
LB1125C01	STD (STOCK) CARTON LABEL BALDOR WITH FLA	1.000 EA
35PA1066	PACKING GROUP COMBINED PRINT	1.000 EA
PK3082	STYROFOAM CRADLE	1.000 EA



CUSTOMER IS RESPONSIBLE FOR DETERMINING THAT MOTOR PERFORMANCE IS SUITABLE IN THE APPLICATION.

REV. DESC: ADD KOBX LOCATION DIMENSION

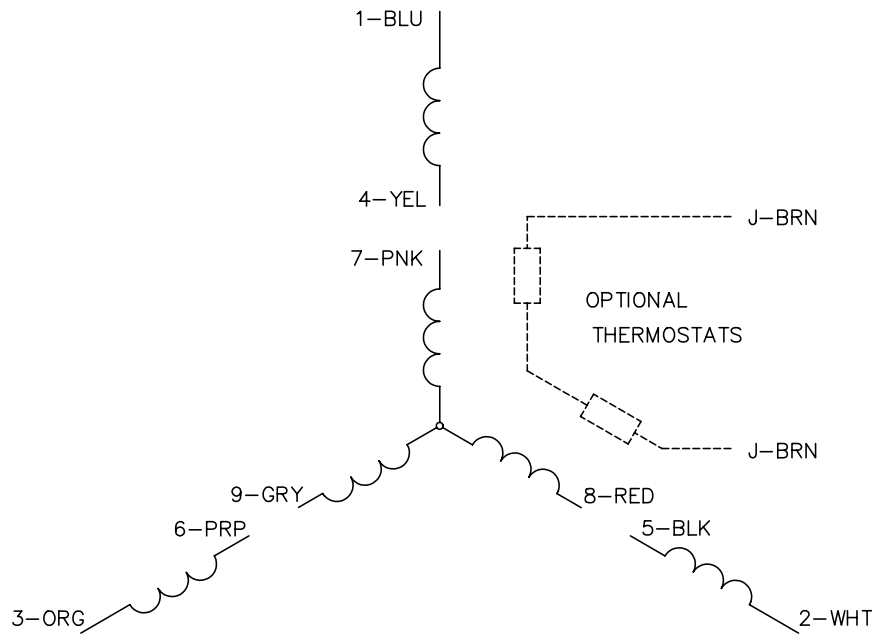
REV. LTR: A	VERSION: 01	TDR: 000000450943
4Z8VY824	FILE: \AAA\00137\898	REVISED: 06:24:20 12/07/2007
	MTL: -	BY: ENCHECO

**Baldor • Dodge • Reliance**

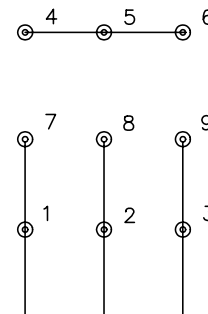
VERT 56C TENV 35M WD4 W/LOCKED PU BRG & LASER ETCHED BAND

35LYV824

CD0005

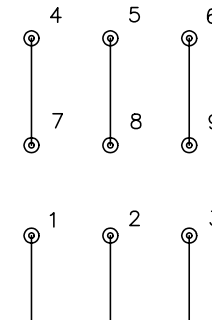


LOW VOLTAGE  
(2Y)



LINE

HIGH VOLTAGE  
(1Y)



LINE

NOTES:

1. INTERCHANGE ANY TWO LINE LEADS TO REVERSE ROTATION.
2. OPTIONAL THERMOSTATS ARE PROVIDED WHEN SPECIFIED.
3. ACTUAL NUMBER OF INTERNAL PARALLEL CIRCUITS MAY BE A MULTIPLE OF THOSE SHOWN ABOVE.
4. LEAD COLORS ARE OPTIONAL. LEADS MUST ALWAYS BE NUMBERED AS SHOWN.

REV. DESC: REVISE TO SHOW OPTIONAL COLORS			
REV. LTR: E	BY: JLP	REVISED: 01/19/99 10:15	TDR: 0171435
90000		FILE: AAA00005140	MDL: -
		MTL: -	

**BALDOR ELECTRIC Co.**

3PH, DV, 9 LEADS

CD0005