

BALDOR® • **RELIANCE**

Product Information Packet

VUHL3519

1HP,1725RPM,1PH,60HZ,56C,3528L,TEFC,F3,N

Copyright © All product information within this document is subject to Baldor Electric Company copyright © protection, unless otherwise noted.

Part Detail									
Revision:	-	Status:	PRD/A	Change #:		Proprietary:	No		
Type:	AC	Prod. Type:	3528L	Elec. Spec:	35WGN570	CD Diagram:			
Enclosure:	TEFC	Mfg Plant:		Mech. Spec:	35X062	Layout:			
Frame:	56C	Mounting:	F3	Poles:	04	Created Date:	08-30-2012		
Base:	N	Rotation:	R	Insulation:	F	Eff. Date:	09-04-2012		
Leads:	6#18	Literature:		Elec. Diagram:		Replaced By:			
Nameplate NP1372L									
CAT.NO.	VUHL3519								
SPEC.	35X062N570G1								
HP	1								
VOLTS	115/208-230								
AMP	11.8/6.3-5.9								
RPM	1725								
FRAME	56C	HZ			60	PH	1		
SER.F.	1.15	CODE			L	DES	L	CL	F
NEMA-NOM-EFF	70	PF			78				
RATING	40C AMB-CONT								
CC				USABLE AT 208V					
DE	6205	ODE			6203				
ENCL	TEFC	SN							
	IP44								

Parts List		
Part Number	Description	Quantity
SA250410	SA 35X062N570G1	1.000 EA
RA237265	RA 35X062N570G1	1.000 EA
EC1850A06SP	ELEC CAP 115V 2.0 X 4.3 X	1.000 EA
NS2512A01	INSULATOR, CONDUIT BOX X	1.000 EA
35CB4007	KOBX, AUTOPHORETIC (REL# 79097-49-C)	1.000 EA
35GS3009	GASKET, KOBX 35CB4006 (411881-15A)	1.000 EA
WD4100A110	CAPLUG,BP-1 1/8, PLUG W/RECESSED HEAD	1.000 EA
51XB1016A05	10-16X5/16HX WA SL SR TYB (F/S)	2.000 EA
11XW1032G06	10-32 X .38, TAPTITE II, HEX WSHR SLTD U	1.000 EA
35EP3100M02	FREP TEFC 203 BRG W/O GRSR (RAISED FH MT	1.000 EA
51XW0832A07	8-32 X .44, TAPTITE II, HEX WSHR SLTD SE	2.000 EA
NS2501A01	INSULATOR, CAPACITOR	1.000 EA
51XB1016A05	10-16X5/16HX WA SL SR TYB (F/S)	2.000 EA
35CB4802A02SP	CAPACITOR COVER, STAMPED X W/AUTOPHORET	1.000 EA
35GS3001A02	GASKET, CA.COVER, 5.38 LONG .06 CS301	1.000 EA
HW5100A03SP	WAVY WASHER (W1543-017)	1.000 EA
35EP3300A33	SPL FACE MTD EP -ENCL-205 BRG	1.000 EA
51XN1032A20	10-32 X 1 1/4 HX WS SL SR	2.000 EA
51XB1214A16	12-14X1.00 HXWSSLD SERTYB	1.000 EA
35FH4005A32SP	IEC FH NO GRSR W/3 HOLES - W/AUTOPHERETI	1.000 EA
51XW1032A06	10-32 X .38, TAPTITE II, HEX WSHR SLTD S	3.000 EA
35CB4519	CB LID RAW & UNPRIMED, REL# 79097-50-B	1.000 EA
35GS3019	GASKET, FOR KOBX LID 35CB4519	1.000 EA
51XW0832A07	8-32 X .44, TAPTITE II, HEX WSHR SLTD SE	4.000 EA

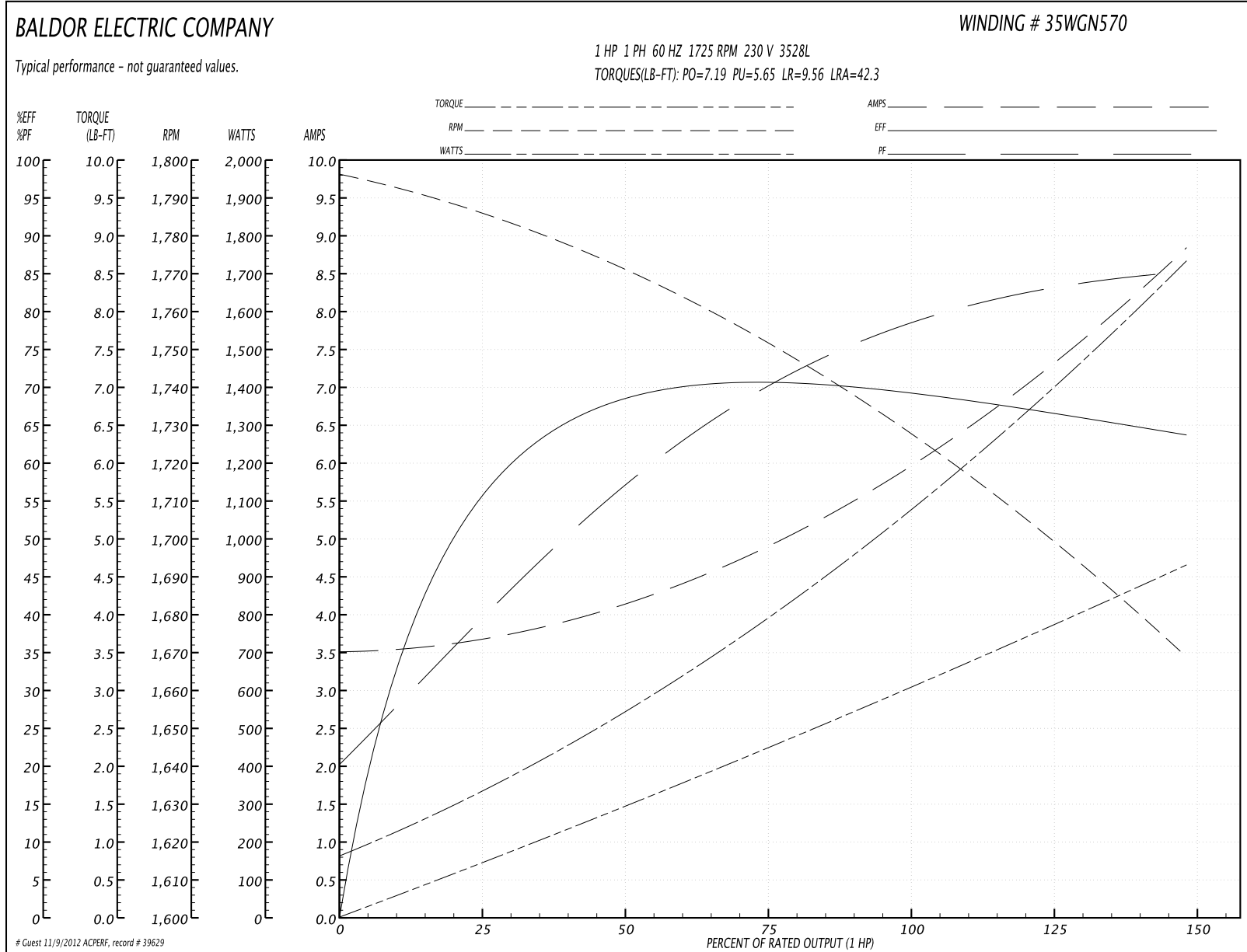
Parts List (continued)		
Part Number	Description	Quantity
HW2501D13SP	KEY, 3/16 SQ X 1.375	1.000 EA
HA7000A04	KEY RETAINER 0.625 DIA SHAFTS	1.000 EA
85XU0407S04	4X1/4 U DRIVE PIN STAINLESS	2.000 EA
WD1000A15	3-520132-2 AMP FLAG (4M/RL NON-CANC/NON-	2.000 EA
MJ1000A75	GREASE, POLYREX EM EXXON	0.050 LB
35FN3002A05SP	EXFN, PLASTIC, 6.376 OD, .638 ID	1.000 EA
MG1000N49	PAINT, 678.50 WILKO, REL GRN (55 GA)	0.017 GA
SP5055A07	MODEL 35 TYPE L STATIONARY SWITCH LEAD A	1.000 EA
HA3100A15	THRUBOLT 10-32 X 8.375	4.000 EA
LB1119	WARNING LABEL	1.000 EA
LB1172A01	CUSTOM MTR CARTON LABEL LASER PRINTER	1.000 EA
LB5040	INSTRUCTION TAG, AC & DC	1.000 EA
LC0001	CONN LABEL TYPE L, 6 LEAD, DUAL VOLTS, R	1.000 EA
NP1372L	ALUM UL CSA CE CC	1.000 EA
35PA1066	PACKING GROUP COMBINED PRINT	1.000 EA
PK3082	STYROFOAM CRADLE	1.000 EA

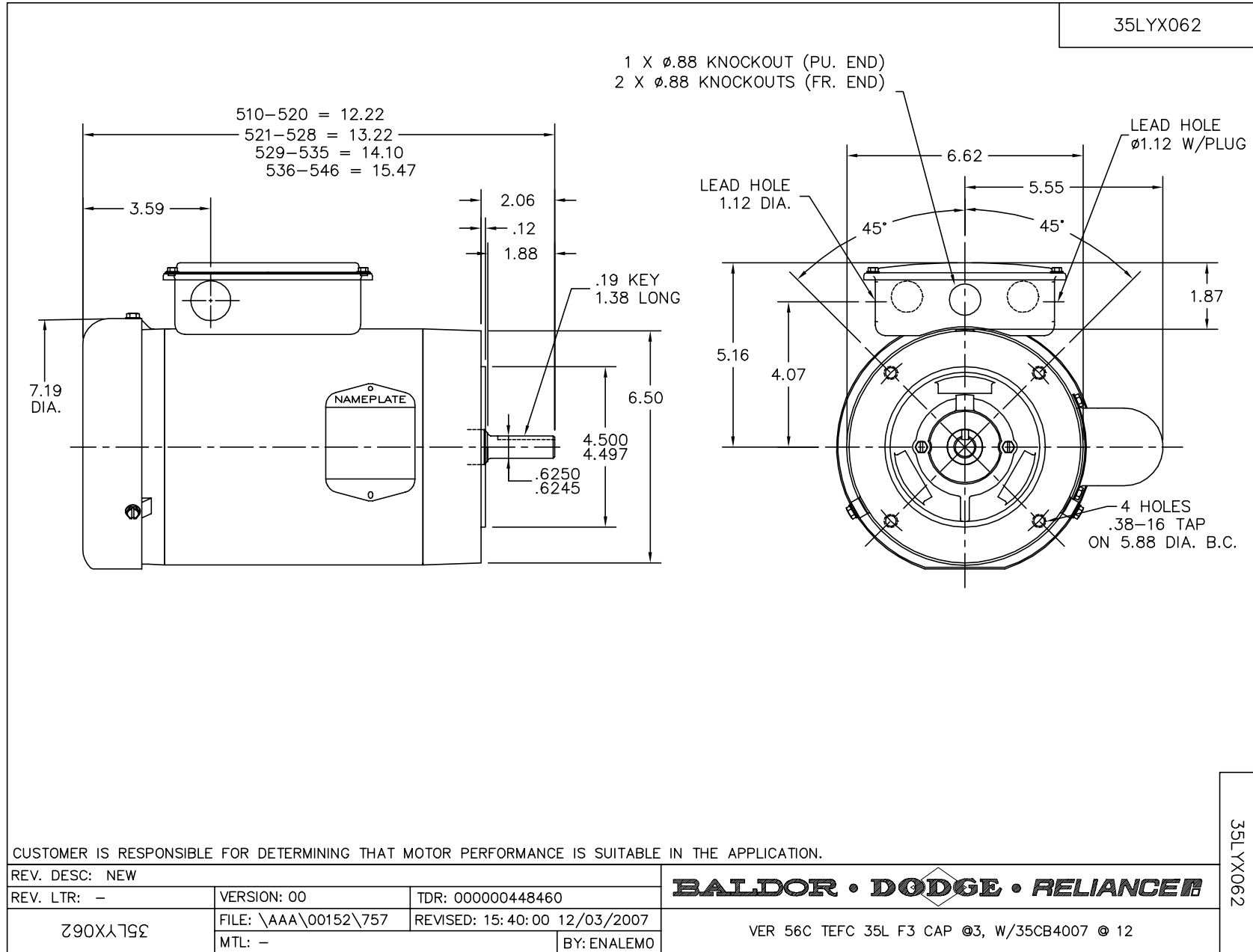
Performance Data at 230V, 60Hz, 1.0HP (Typical performance - Not guaranteed values)

General Characteristics			
Full Load Torque:	2.99 LB-FT	Start Configuration:	DOL
No-Load Current:	3.48 Amps	Break-Down Torque:	7.19 LB-FT
Line-line Res. @ 25°C.:	2.6968 Ohms A Ph / 1.2724 Ohms B Ph	Pull-Up Torque:	5.65 LB-FT
Temp. Rise @ Rated Load:	85 C	Locked-Rotor Torque:	9.56 LB-FT
Temp. Rise @ S.F. Load:	104 C	Starting Current:	42.3 Amps

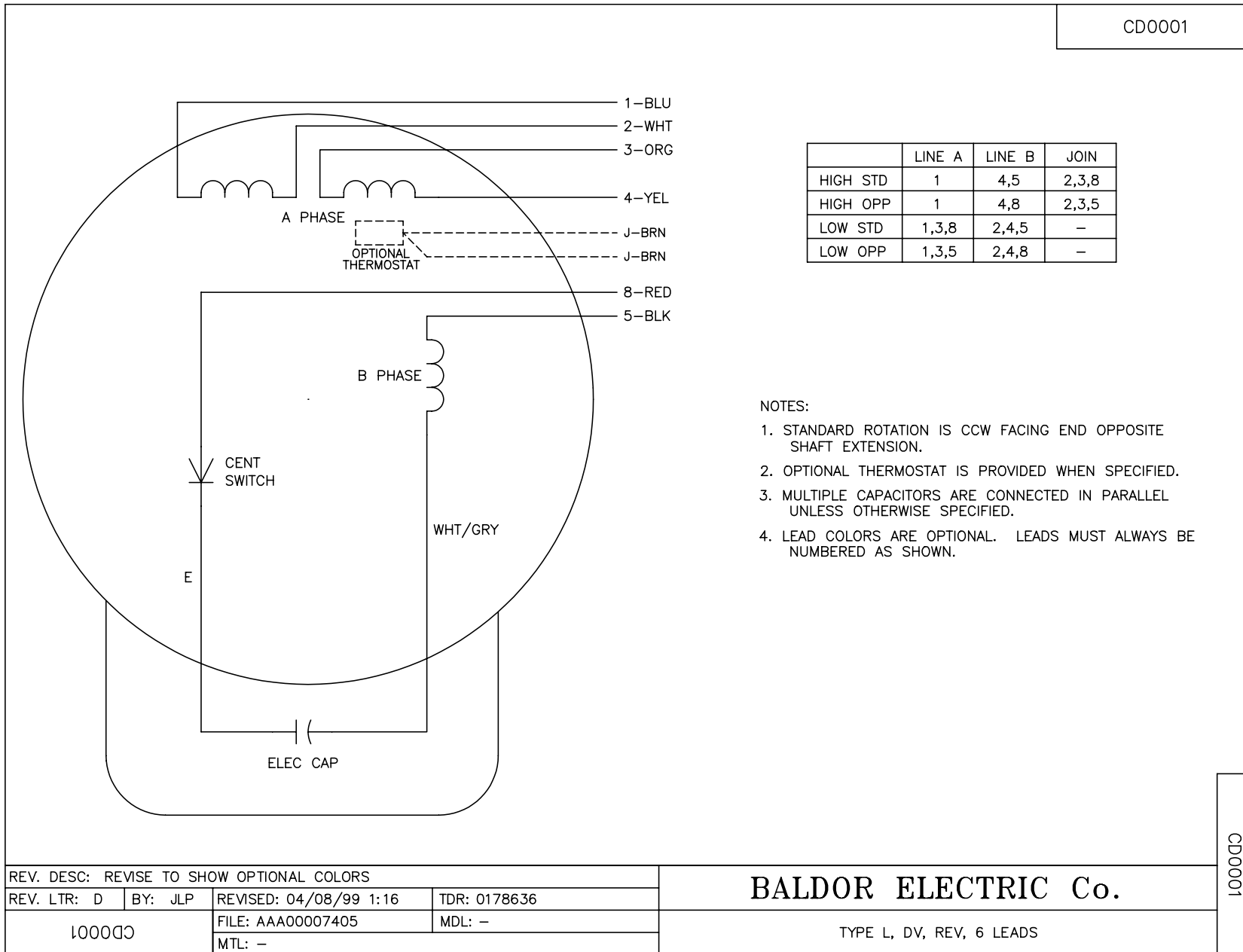
Load Characteristics							
% of Rated Load	25	50	75	100	125	150	S.F.
Power Factor:	39.0	57.0	70.0	78.0	83.0	86.0	81.0
Efficiency:	52.1	66.0	70.4	70.1	68.0	63.1	68.8
Speed:	1784.4	1769.6	1751.8	1731.7	1705.7	1665.7	1716.0
Line Amperes:	3.67	4.15	4.89	5.87	7.11	8.9	6.61

Performance Graph at 230V, 60Hz, 1.0HP Typical performance - Not guaranteed values





CD0001



CD0001

REV. DESC: REVISE TO SHOW OPTIONAL COLORS			
REV. LTR: D	BY: JLP	REVISED: 04/08/99 1:16	TDR: 0178636
100000		FILE: AAA00007405	MDL: -
		MTL: -	

BALDOR ELECTRIC Co.

TYPE L, DV, REV, 6 LEADS