

# **BALDOR® • RELIANCE**

## **Product Information Packet**

### **VWDM3542**

**.75HP, 1750RPM, 3PH, 60HZ, 56C, 3516M, TENV, F1**

Copyright © All product information within this document is subject to Baldor Electric Company copyright © protection, unless otherwise noted.

Part Detail							
Revision:	G	Status:	PRD/A	Change #:		Proprietary:	No
Type:	AC	Prod. Type:	3516M	Elec. Spec:	35WGM515	CD Diagram:	
Enclosure:	TENV	Mfg Plant:		Mech. Spec:	35S603	Layout:	
Frame:	56C	Mounting:	F1	Poles:	04	Created Date:	04-30-2010
Base:	N	Rotation:	R	Insulation:	F	Eff. Date:	10-03-2012
Leads:	9#18	Literature:		Elec. Diagram:		Replaced By:	

Nameplate NP1496L									
CAT.NO.	VWDM3542								
SPEC.	35S603M515G1								
HP	.75								
VOLTS	230/460								
AMP	2.4/1.2								
RPM	1750								
FRAME	56C	HZ	60	PH	3				
SER.F.	1.25	CODE	M	DES	B	CLASS	F		
NEMA-NOM-EFF	80	PF	74						
RATING	40C AMB-CONT								
CC	USABLE AT 208V								
DE	6205	ODE	6203						
ENCL	TENV	SN							
	SFA 2.7/1.35								

Parts List		
Part Number	Description	Quantity
SA194135	SA 35S603M515G1	1.000 EA
RA181725	RA 35S603M515G1	1.000 EA
NS2512A01	INSULATOR, CONDUIT BOX X	1.000 EA
35CB3008A01W	35 CB .50 NPT @ 6, MACH WHITE EPOXY	1.000 EA
35GS1039	05 MOLDED GASKET W/LIP, 1.12 LEAD HOLE,	1.000 EA
51XB1016A07	10-16 X 7/16 HXWSSLD SERTYB	2.000 EA
11XW1032G06	10-32 X .38, TAPTITE II, HEX WSHR SLTD U	1.000 EA
35EP3100M71MW	SPL FR ENDPLATE -TENV- SP.#9 (WHITE EPOX	1.000 EA
HW4032A01	BLACK DRAIN PLUG FOR WASH DOWN MOTORS	3.000 EA
HW5100A03SP	WAVY WASHER (W1543-017)	1.000 EA
35EP3300A48MW	SPL FACE MTD EP - 205 BRG - W/SEAL FOR W	1.000 EA
HW4032A01	BLACK DRAIN PLUG FOR WASH DOWN MOTORS	3.000 EA
HW4600B49SP	SEAL 0.938 X 1.624 X 0.250 SINGLE LIP DB	1.000 EA
12XN1032S20	10-32 X 1-1/4 HEX M.S. , STAINLESS STEEL	2.000 EA
35CB4522	35 LIPPED CB LID AUTOPHORETIC	1.000 EA
35GS1030A02	35 GS FOR CB LID - WHITE NEOPRENE	1.000 EA
59XW0832S07	TAPTITE II,HEX WSHR UNSLTD SER,410 S.S.,	4.000 EA
HW4600B32SP	V-RING SLINGER 1.000 X 1.540 X 0.240	1.000 EA
HW2502D13	SS KEY, 3/16 SQ X 1.375	1.000 EA
HA7000A04	KEY RETAINER 0.625 DIA SHAFTS	1.000 EA
MJ5001A01	46-665 RED SEALER	0.001 QT
LB1164	LABEL,WARNING AND DRAIN	1.000 EA
85XU0407S04	4X1/4 U DRIVE PIN STAINLESS	2.000 EA
HA5027A01	HA4066A01 T-DRAIN X2 BAGGED	1.000 EA

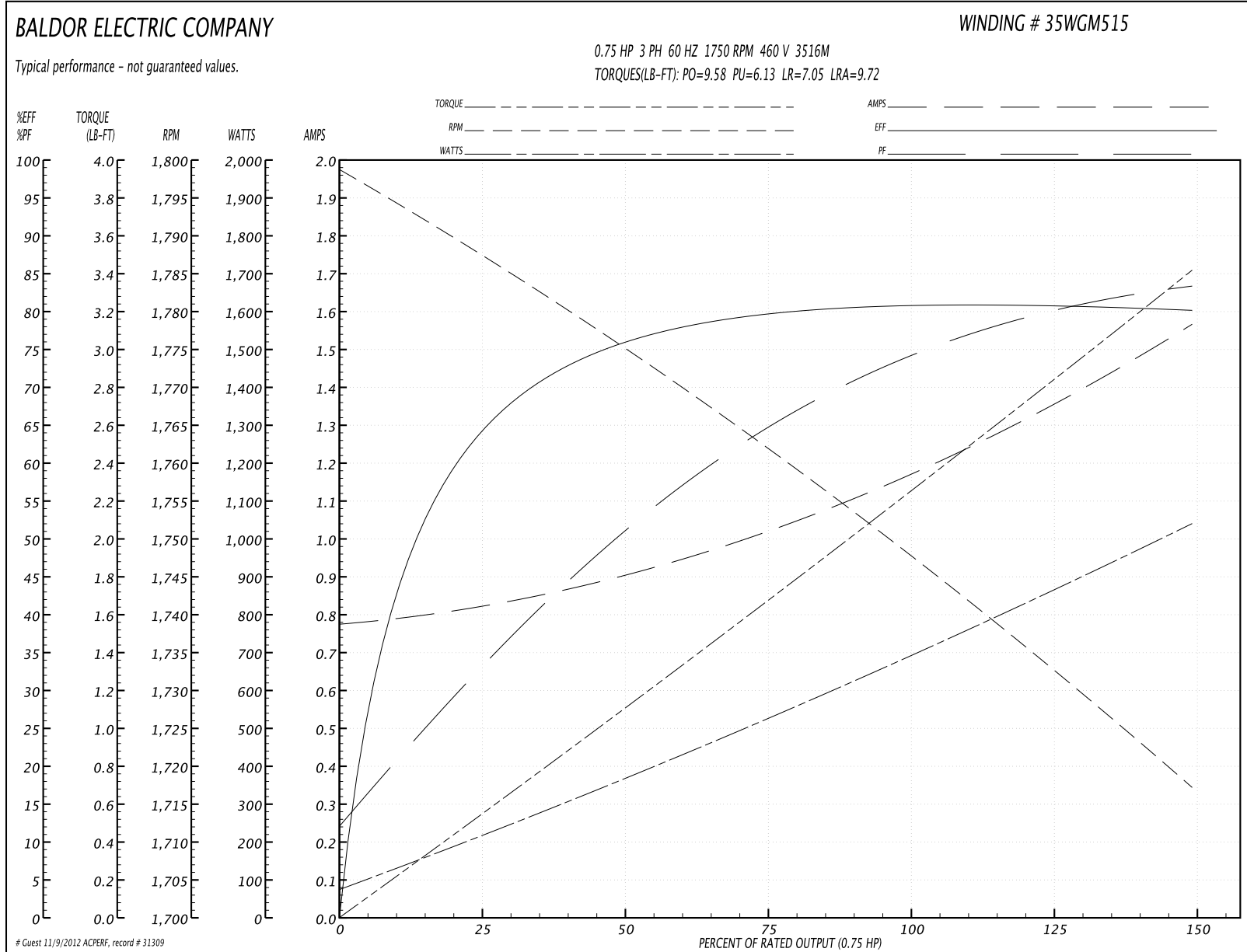
Parts List (continued)		
Part Number	Description	Quantity
MJ1000A75	GREASE, POLYREX EM EXXON	0.050 LB
MG1025Z20	ACTIVATOR WILKOFAS 060.32	0.010 GA
MG1025W11	PAINT- 781-101 WILKOFAS WHITE EPOXY	0.017 GA
HA3100S08	THRUBOLT 7.375LG SS	4.000 EA
LB1125C01	STD (STOCK) CARTON LABEL BALDOR WITH FLA	1.000 EA
LC0005	CONN.DIA.,TY M,9-LD,DUAL VOLT,REVERSING	1.000 EA
NP1496L	SS WD UL CSA CC	1.000 EA
35PA1066	PACKING GROUP COMBINED PRINT	1.000 EA
PK3082	STYROFOAM CRADLE	1.000 EA

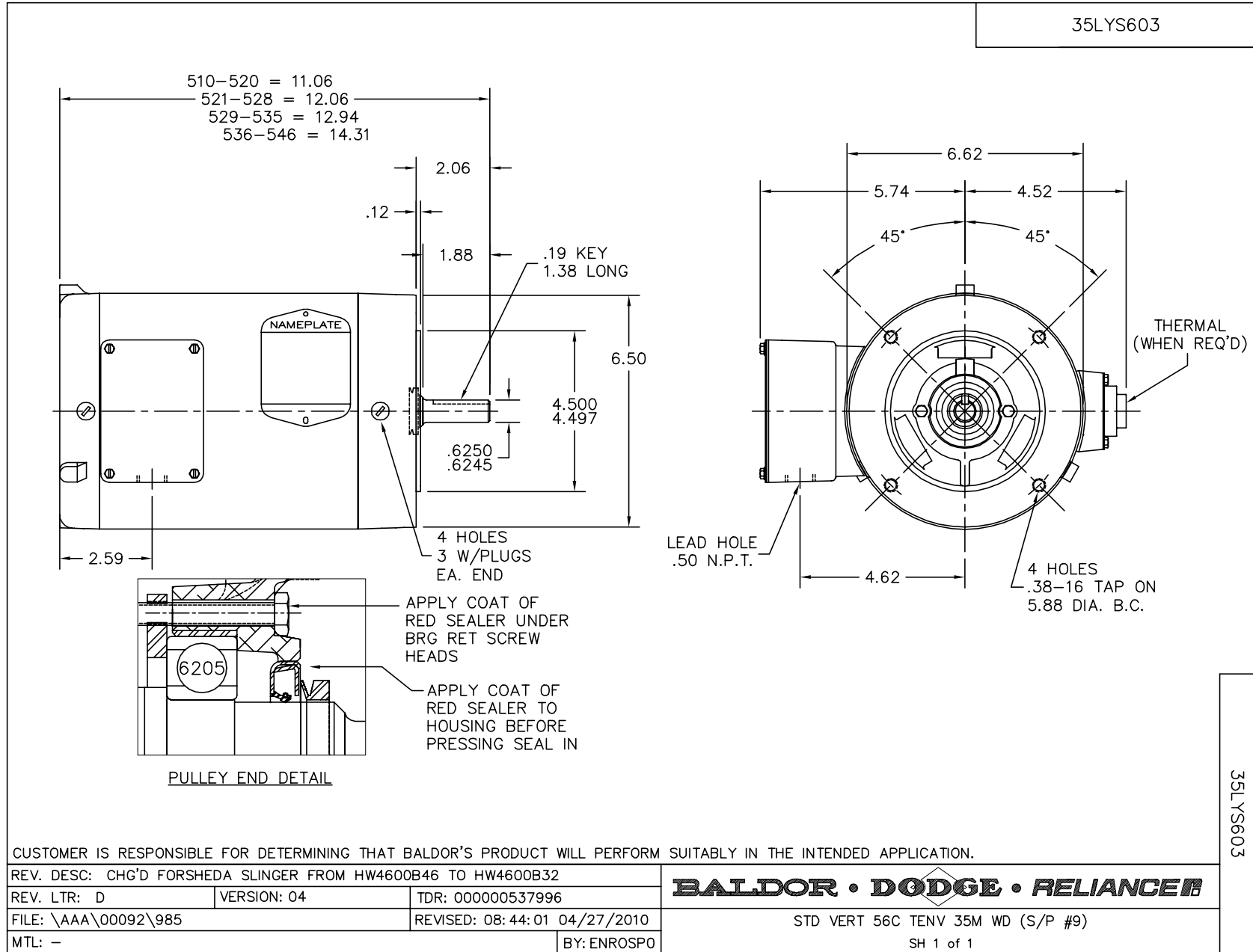
**Performance Data at 460V, 60Hz, 0.75HP (Typical performance - Not guaranteed values)**

General Characteristics			
Full Load Torque:	2.24 LB-FT	Start Configuration:	DOL
No-Load Current:	0.781 Amps	Break-Down Torque:	9.58 LB-FT
Line-line Res. @ 25°C.:	23.06 Ohms A Ph / 0.0 Ohms B Ph	Pull-Up Torque:	6.13 LB-FT
Temp. Rise @ Rated Load:	63 C	Locked-Rotor Torque:	7.05 LB-FT
Temp. Rise @ S.F. Load:	80 C	Starting Current:	9.72 Amps

Load Characteristics							
% of Rated Load	25	50	75	100	125	150	S.F.
Power Factor:	33.0	51.0	65.0	74.0	80.0	84.0	80.0
Efficiency:	63.7	76.1	80.0	81.2	81.0	80.1	81.0
Speed:	1787.6	1775.1	1762.3	1748.4	1732.8	1717.2	1733.0
Line Amperes:	0.815	0.896	1.02	1.17	1.36	1.56	1.36

Performance Graph at 460V, 60Hz, 0.75HP Typical performance - Not guaranteed values

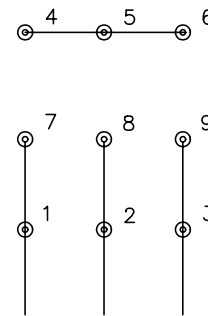




CD0005

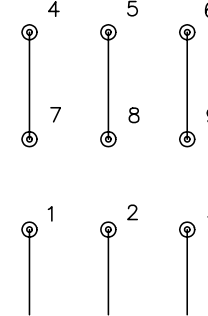


LOW VOLTAGE  
(2Y)



LINE

HIGH VOLTAGE  
(1Y)



LINE

NOTES:

1. INTERCHANGE ANY TWO LINE LEADS TO REVERSE ROTATION.
2. OPTIONAL THERMOSTATS ARE PROVIDED WHEN SPECIFIED.
3. ACTUAL NUMBER OF INTERNAL PARALLEL CIRCUITS MAY BE A MULTIPLE OF THOSE SHOWN ABOVE.
4. LEAD COLORS ARE OPTIONAL. LEADS MUST ALWAYS BE NUMBERED AS SHOWN.

REV. DESC: REVISE TO SHOW OPTIONAL COLORS			
REV. LTR: E	BY: JLP	REVISED: 01/19/99 10:15	TDR: 0171435
90000		FILE: AAA00005140	MDL: -
		MTL: -	

**BALDOR ELECTRIC Co.**

3PH, DV, 9 LEADS

CD0005