

BALDOR® • *RELIANCE*

Product Information Packet

VWDM3558T-5

2HP, 1750RPM, 3PH, 60HZ, 145TC, 3524M, TEFC, F1

Copyright © All product information within this document is subject to Baldor Electric Company copyright © protection, unless otherwise noted.

Part Detail							
Revision:	A	Status:	PRD/A	Change #:		Proprietary:	No
Type:	AC	Prod. Type:	3524M	Elec. Spec:	35WGM614	CD Diagram:	
Enclosure:	TEFC	Mfg Plant:		Mech. Spec:	35SS605	Layout:	
Frame:	145TC	Mounting:	F1	Poles:	04	Created Date:	08-01-2012
Base:	N	Rotation:	R	Insulation:	F	Eff. Date:	10-05-2012
Leads:	3#18	Literature:		Elec. Diagram:		Replaced By:	

Nameplate NP1496L									
CAT.NO.	VWDM3558T-5								
SPEC.	35SS605M614H1								
HP	2								
VOLTS	575								
AMP	2.5								
RPM	1750								
FRAME	145TC	HZ	60	PH	3				
SER.F.	1.15	CODE	L	DES	B	CLASS	F		
NEMA-NOM-EFF	84	PF	72						
RATING	40C AMB-CONT								
CC	010A	USABLE AT 208V							
DE	6205	ODE	6203						
ENCL	TEFC	SN							

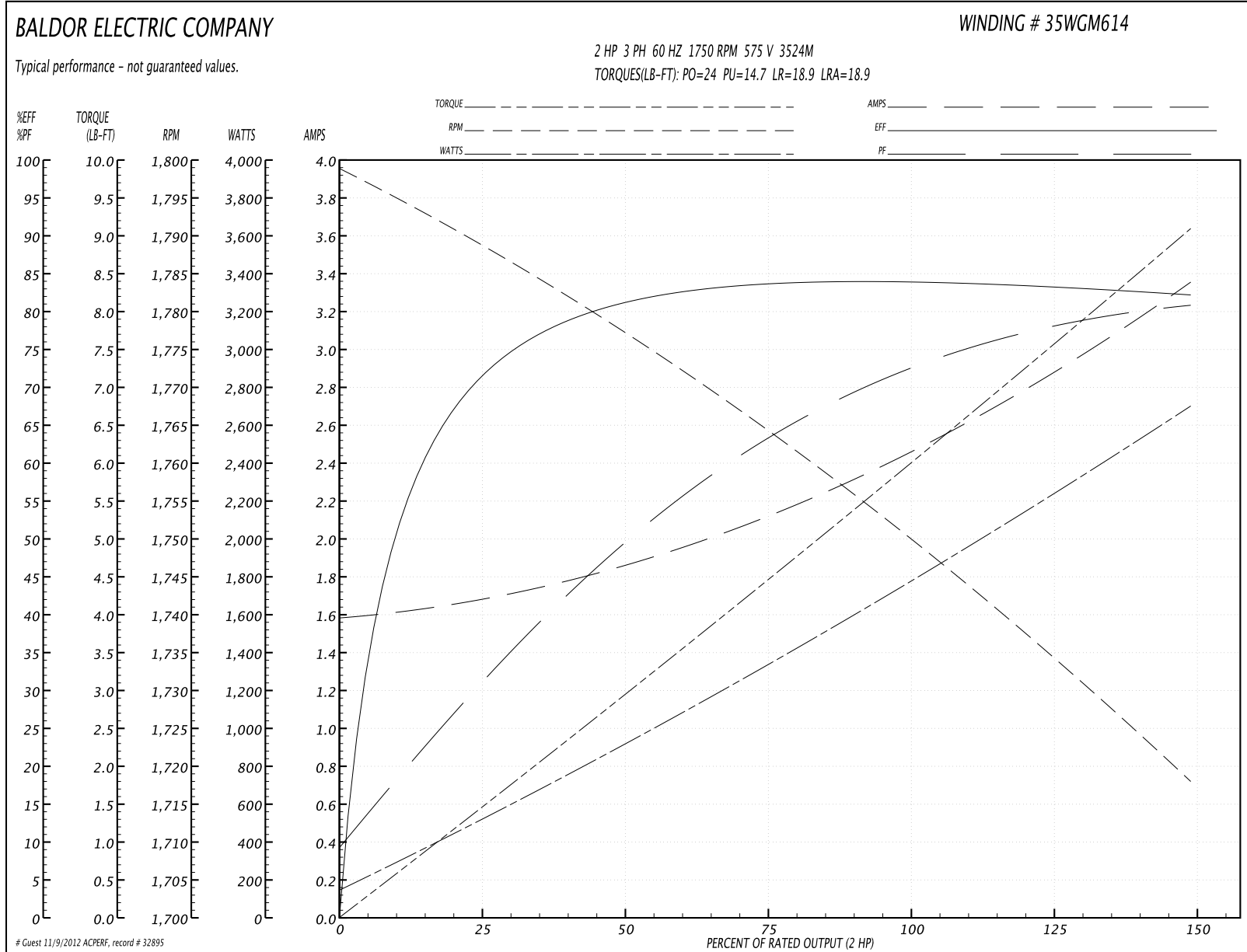
Parts List		
Part Number	Description	Quantity
SA249126	SA 35SS605M614H1	1.000 EA
RA235991	RA 35SS605M614H1	1.000 EA
34FN3002A01SP	EXTERNAL FAN, PLASTIC, .637/.639 HUB W/	1.000 EA
S/P101-000-000	EPACT PROCEDURES-FS PLANT-POLYREX EM, NO	1.000 EA
NS2512A01	INSULATOR, CONDUIT BOX X	1.000 EA
35CB3010A01W	35 CB .75 NPT @ 6:00, WHITE EPOXY	1.000 EA
35GS1039	05 MOLDED GASKET W/LIP, 1.12 LEAD HOLE,	1.000 EA
51XB1016A07	10-16 X 7/16 HXWSSLD SERTYB	2.000 EA
11XW1032G06	10-32 X .38, TAPTITE II, HEX WSHR SLTD U	1.000 EA
35EP3100M04MW	FREP TEFC,"O" DRILLS,NO GRSR, MACH.WHITE	1.000 EA
HW4032A01	BLACK DRAIN PLUG FOR WASH DOWN MOTORS	3.000 EA
HW5100A03SP	WAVY WASHER (W1543-017)	1.000 EA
35EP3300A48MW	SPL FACE MTD EP - 205 BRG - W/SEAL FOR W	1.000 EA
HW4032A01	BLACK DRAIN PLUG FOR WASH DOWN MOTORS	3.000 EA
HW4600B49SP	SEAL 0.938 X 1.624 X 0.250 SINGLE LIP DB	1.000 EA
12XN1032S20	10-32 X 1-1/4 HEX M.S. , STAINLESS STEEL	2.000 EA
51XB1214A16	12-14X1.00 HXWSSLD SERTYB	1.000 EA
35FH4005A32SP	IEC FH NO GRSR W/3 HOLES - W/AUTOPHERETI	1.000 EA
11XW1032S06	10-32 X .38, TAPTITE II, HEX WSHR SLTD U	3.000 EA
35CB4522	35 LIPPED CB LID AUTOPHORETIC	1.000 EA
35GS1030A02	35 GS FOR CB LID - WHITE NEOPRENE	1.000 EA
59XW0832S07	TAPTITE II,HEX WSHR UNSLTD SER,410 S.S.,	4.000 EA
HA1005A05SP	SLINGER, OD 1.50, ID .659, 203 BRG	1.000 EA
HW4600B46SP	SEAL 0.875 X 1.420 X 0.240 FACE SEALING	1.000 EA

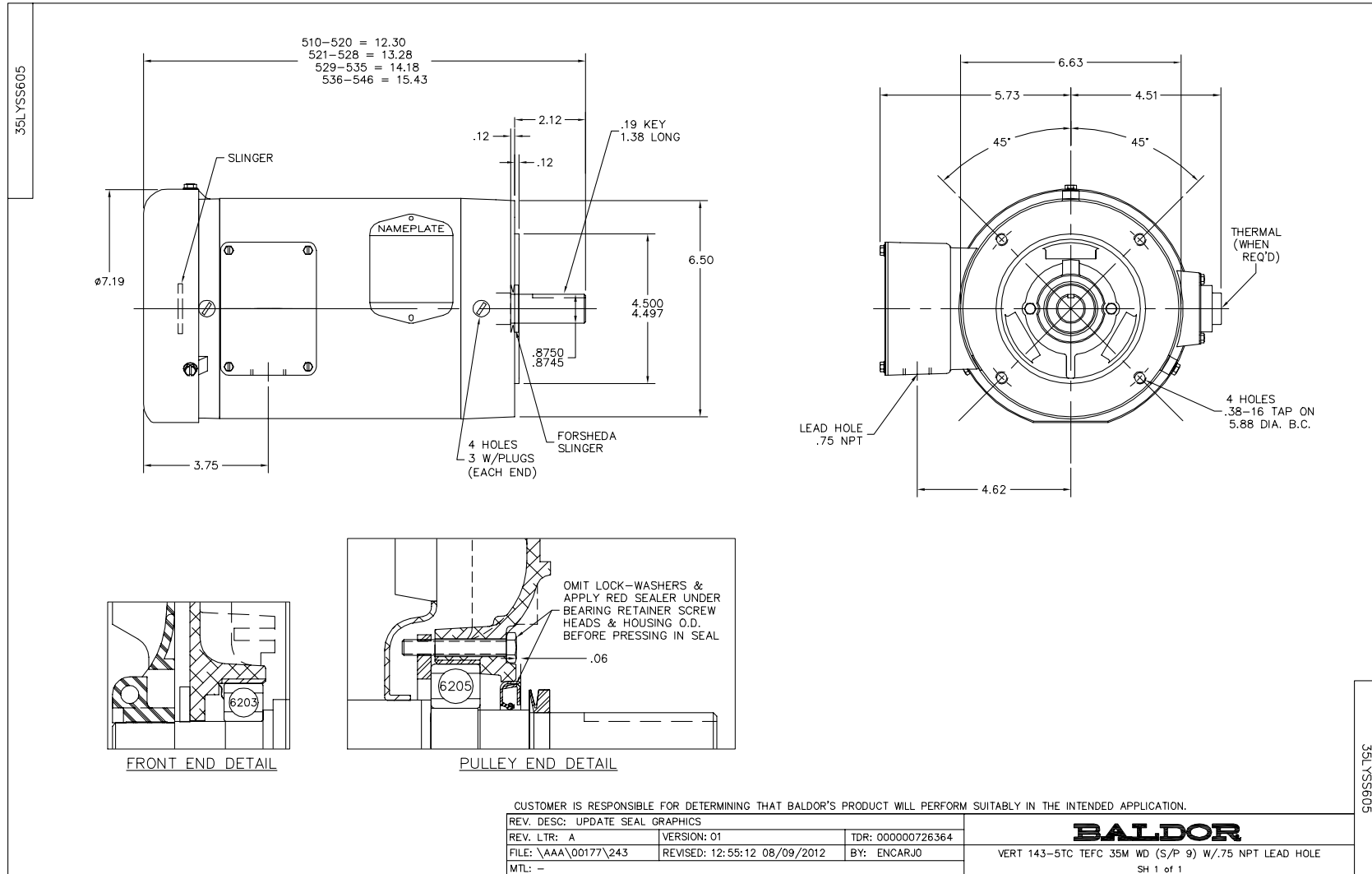
Parts List (continued)		
Part Number	Description	Quantity
HW2502D13	SS KEY, 3/16 SQ X 1.375	1.000 EA
HA7000A01	KEY RETAINER 7/8" DIA SHAFT	1.000 EA
MJ5001A01	46-665 RED SEALER	0.001 QT
85XU0407S04	4X1/4 U DRIVE PIN STAINLESS	2.000 EA
LB1164	LABEL,WARNING AND DRAIN	1.000 EA
HA5027A01	HA4066A01 T-DRAIN X2 BAGGED	1.000 EA
MJ1000A75	GREASE, POLYREX EM EXXON	0.050 LB
MG1025Z20	ACTIVATOR WILKOFAS 060.32	0.010 GA
MG1025W11	PAINT- 781-101 WILKOFAS WHITE EPOXY	0.017 GA
HA3100S07	THRUBOLT 10-32 X 8.375 SS	4.000 EA
LB1125C04	STD-E (STOCK CTN LABEL STD-E WITH FLAG)	1.000 EA
LC0006	CONNECTION LABEL	1.000 EA
NP1496L	SS WD UL CSA CC	1.000 EA
35PA1066	PACKING GROUP COMBINED PRINT	1.000 EA
PK3082	STYROFOAM CRADLE	1.000 EA

Performance Data at 575V, 60Hz, 2.0HP (Typical performance - Not guaranteed values)

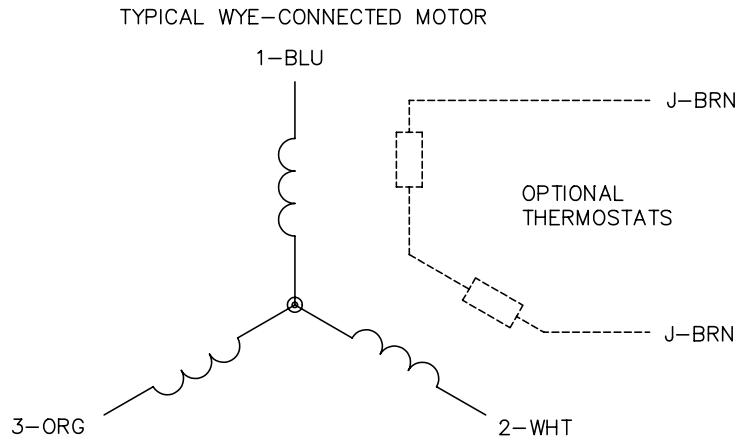
General Characteristics							
Full Load Torque:	5.96 LB-FT			Start Configuration:	DOL		
No-Load Current:	1.6 Amps			Break-Down Torque:	24.0 LB-FT		
Line-line Res. @ 25°C.:	12.0 Ohms A Ph / 0.0 Ohms B Ph			Pull-Up Torque:	14.7 LB-FT		
Temp. Rise @ Rated Load:	69 C			Locked-Rotor Torque:	18.9 LB-FT		
Temp. Rise @ S.F. Load:	80 C			Starting Current:	18.9 Amps		
Load Characteristics							
% of Rated Load	25	50	75	100	125	150	S.F.
Power Factor:	31.0	50.0	63.0	72.0	78.0	81.0	76.0
Efficiency:	70.5	80.9	83.5	84.2	83.5	82.0	83.8
Speed:	1789.0	1777.0	1764.0	1751.0	1734.0	1718.0	1741.0
Line Amperes:	1.65	1.86	2.13	2.46	2.88	3.35	2.71

Performance Graph at 575V, 60Hz, 2.0HP Typical performance - Not guaranteed values





CD0006



NOTES:

1. THREE LEAD MOTOR MAY BE EITHER WYE CONNECTED OR DELTA CONNECTED.
2. INTERCHANGE ANY TWO LINE LEADS TO REVERSE ROTATION.
3. OPTIONAL THERMOSTATS ARE PROVIDED WHEN SPECIFIED.
4. ACTUAL NUMBER OF INTERNAL PARALLEL CIRCUITS MAY VARY.
5. LEAD COLORS ARE OPTIONAL. LEADS MUST BE NUMBERED AS SHOWN.

REV. DESC: REVISE TO SHOW OPTIONAL COLORS			
REV. LTR: D	BY: JLP	REVISED: 01/21/99 4:02	TDR: 0171435
9000D		FILE: AAA00005141	MDL: -
		MTL: -	

BALDOR ELECTRIC Co.

3PH, SV, 3 LEADS, WYE OR DELTA CONNECTED

CD0006