

BALDOR® • RELIANCE

Product Information Packet

WCL1406T

3HP,3450RPM,1PH,60HZ,182TCZ,3628L,OPEN

Copyright © All product information within this document is subject to Baldor Electric Company copyright © protection, unless otherwise noted.

Part Detail							
Revision:	Y	Status:	PRD/A	Change #:		Proprietary:	No
Type:	AC	Prod. Type:	3628L	Elec. Spec:	36WG0115	CD Diagram:	
Enclosure:	OPEN	Mfg Plant:		Mech. Spec:	36E772	Layout:	
Frame:	182TCZ	Mounting:	F1	Poles:	02	Created Date:	
Base:	RG	Rotation:	R	Insulation:	B	Eff. Date:	05-10-2012
Leads:	4#14 A PH,2#16 B PH	Literature:		Elec. Diagram:		Replaced By:	

Nameplate NP1256L									
CAT.NO.	WCL1406T								
SPEC.	36E772-115								
HP	3								
VOLTS	115/230								
AMP	28/14								
RPM	3450								
FRAME	182TCZ	HZ	60	PH	1				
SER.F.	1.15	CODE	G	DES	L	CLASS	B		
NEMA-NOM-EFF	78	PF	88						
RATING	40C AMB-CONT								
CC				USABLE AT 208V	14.7				
DE	6207	ODE	6205						
ENCL	OPEN	SN							

Parts List		
Part Number	Description	Quantity
SA034722	SA 36E772-115	1.000 EA
RA030750	RA 36E772-115	1.000 EA
36CB3004	36 CB CASTING W/1.09 DIA LEAD HOLE @ 6:0	1.000 EA
51XB1016A08	10-16X 1/2HXWSSLD SERTYB	2.000 EA
11XW1032G06	10-32 X .38, TAPTITE II, HEX WSHR SLTD U	1.000 EA
HW3001B01	003SS CUP WASHER, FOR #8 SCREW	1.000 EA
36EP3200A25	FR ENDPLATE, MACH	1.000 EA
HW4500A01	1641B(ALEMITE)400 UNIV, GREASE FITT	1.000 EA
HW4500A17	317400 ALEMITE GREASE RELIEF	1.000 EA
HA1103A08	RODENT SCREEN, 36 FRAME, OPEN, FRONT END	1.000 EA
51XW1032A06	10-32 X .38, TAPTITE II, HEX WSHR SLTD S	4.000 EA
HW1000A10	#10 FLAT WASHER (SAE)	4.000 EA
SP1008A01	BAFFLE, MODEL 36 & 37	1.000 EA
13XF0832A08	8-32 X.50 PAN HD,SLTD, TYPE F SCREW, ZIN	2.000 EA
NS2501A01	INSULATOR, CAPACITOR	1.000 EA
35CB4802A02SP	CAPACITOR COVER, STAMPED X W/AUTOPHORET	1.000 EA
51XB1016A05	10-16X5/16HX WA SL SR TYB (F/S)	2.000 EA
HW5100A05	WVY WSHR F/205 & 304 BRGS	1.000 EA
36EP1206A15	PU ENDPLATE, MACH	1.000 EA
HW4500A01	1641B(ALEMITE)400 UNIV, GREASE FITT	1.000 EA
HW4500A17	317400 ALEMITE GREASE RELIEF	1.000 EA
36AD2000	AIR BAFFLE	1.000 EA
85XU0407S04	4X1/4 U DRIVE PIN STAINLESS	4.000 EA
HA1102A09	RODENT SCREEN 36 OPEN FAC	2.000 EA

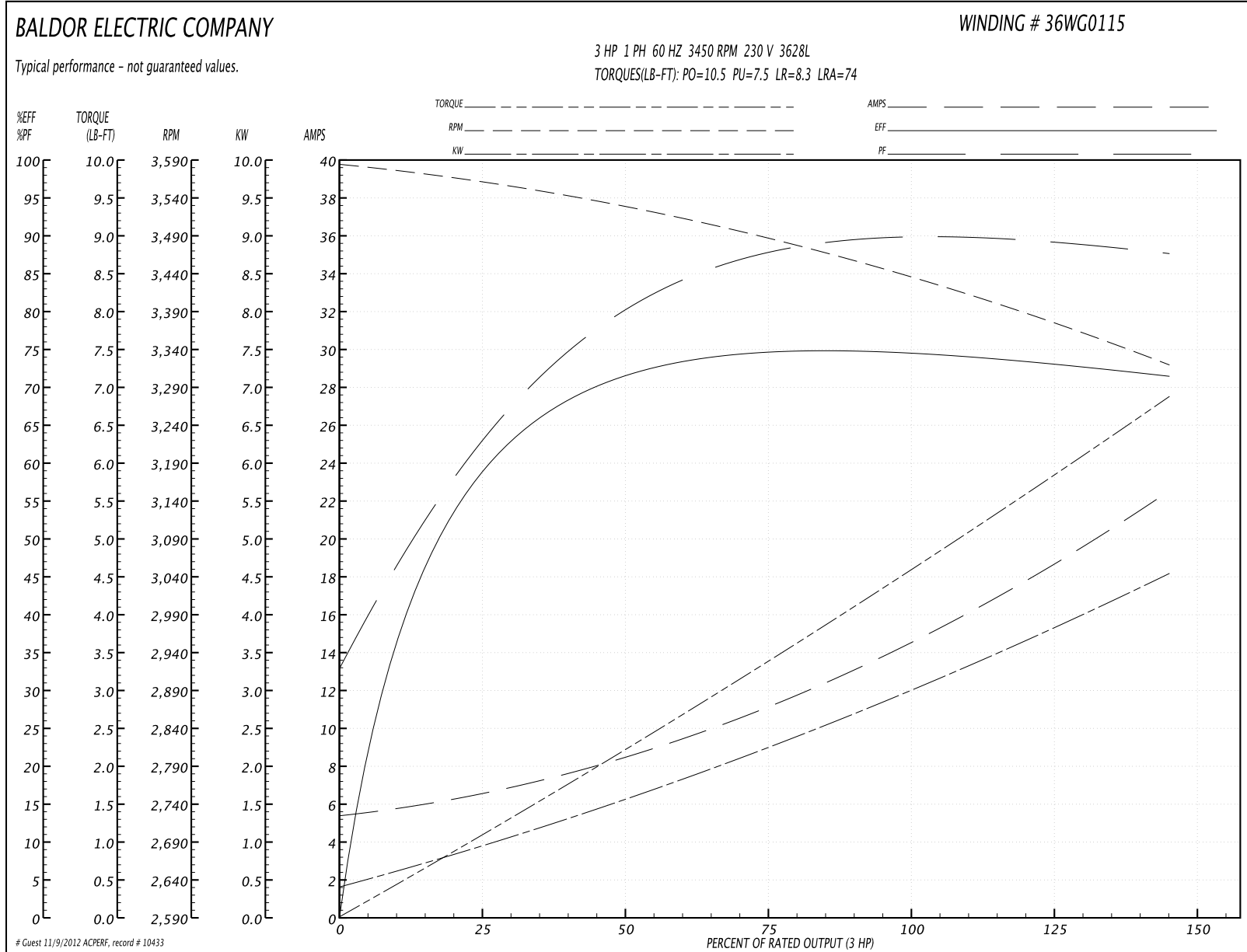
Parts List (continued)		
Part Number	Description	Quantity
51XW1032A06	10-32 X .38, TAPTITE II, HEX WSHR SLTD S	4.000 EA
HW1000A10	#10 FLAT WASHER (SAE)	4.000 EA
10XN2520A26	1/4-20X 1 5/8 HEX HD	4.000 EA
HW1001A25	LOCKWASHER 1/4, ZINC PLT .493 OD, .255 I	4.000 EA
36CB4516	36 LIPPED CB LID	1.000 EA
51XW0832A07	8-32 X .44, TAPTITE II, HEX WSHR SLTD SE	4.000 EA
80XN1032A06	10-32 X 3/8 SET SC HEX SOCK	1.000 EA
HA2009A01	36-4613 SL ANOD. ALUM (STER	1.000 EA
HW2501D13SP	KEY, 3/16 SQ X 1.375	1.000 EA
HA7000A01	KEY RETAINER 7/8" DIA SHAFT	1.000 EA
85XU0407S04	4X1/4 U DRIVE PIN STAINLESS	2.000 EA
WD1000A15	3-520132-2 AMP FLAG (4M/RL NON-CANC/NON-	2.000 EA
MJ1000A75	GREASE, POLYREX EM EXXON	0.050 LB
MG1000G27	PAINT- S9282E CHARCOAL GREY	0.022 GA
EC1850A06SP	ELEC CAP 115V 2.0 X 4.3 X	1.000 EA
HA3101A25	THRUBOLT 1/4-20 X 11.000 OHIO ROD	4.000 EA
SP5061A01	MODEL 36 TYPE L,F1,SMALL CAP CAN	1.000 EA
LB1125C01	STD (STOCK) CARTON LABEL BALDOR WITH FLA	1.000 EA
LC0001A01	CONN LABEL / WARNING LABEL (LC0001 / LB1	1.000 EA
NP1256L	ALUM UL CSA CC	1.000 EA
G0PA1000	PACKAGING GROUP	1.000 EA

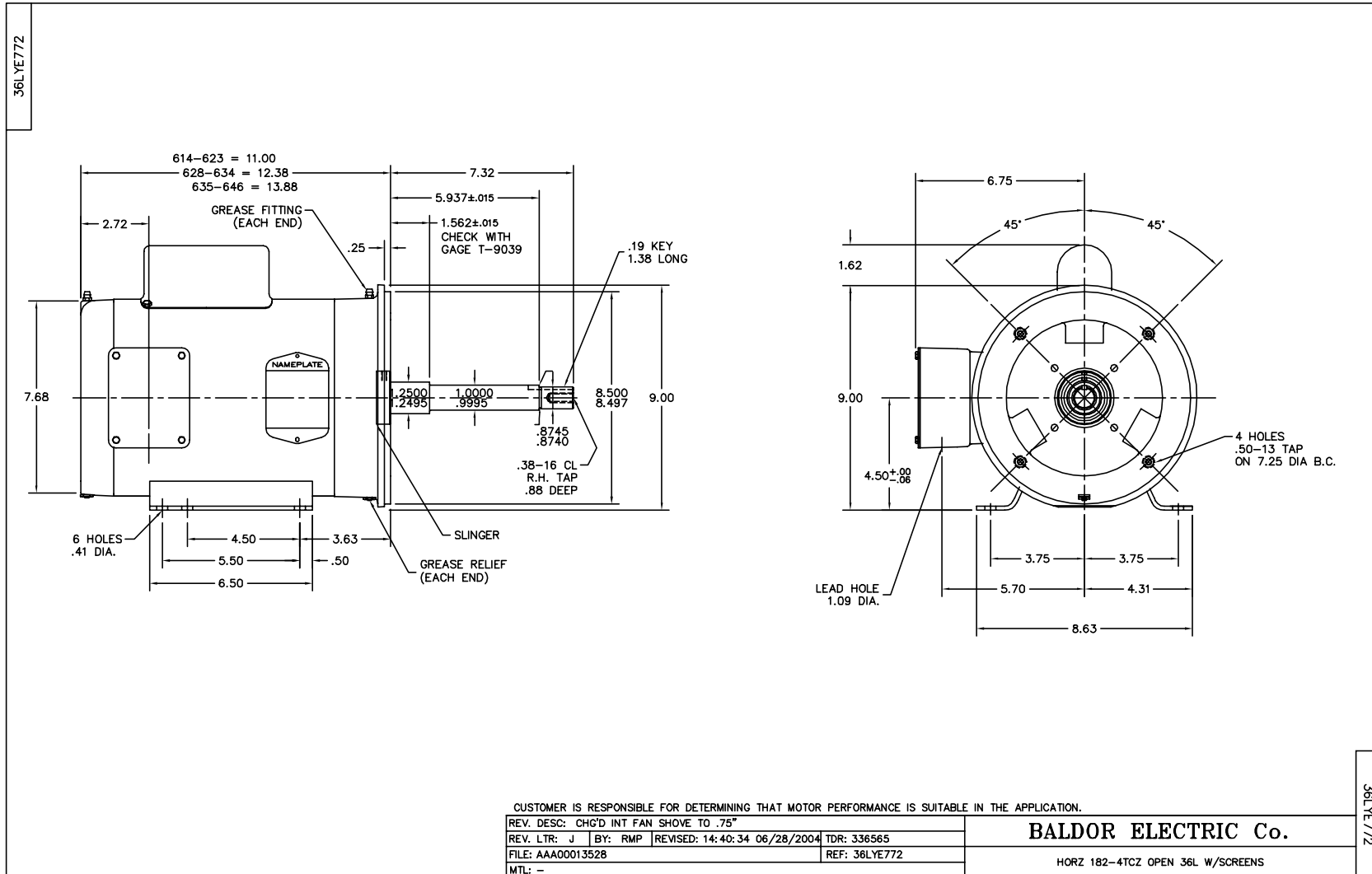
Performance Data at 230V, 60Hz, 3.0HP (Typical performance - Not guaranteed values)

General Characteristics			
Full Load Torque:	4.6 LB-FT	Start Configuration:	DOL
No-Load Current:	5.35 Amps	Break-Down Torque:	10.5 LB-FT
Line-line Res. @ 25°C.:	0.175 Ohms A Ph / 0.914 Ohms B Ph	Pull-Up Torque:	7.5 LB-FT
Temp. Rise @ Rated Load:	56 C	Locked-Rotor Torque:	8.3 LB-FT
Temp. Rise @ S.F. Load:	74 C	Starting Current:	74.0 Amps

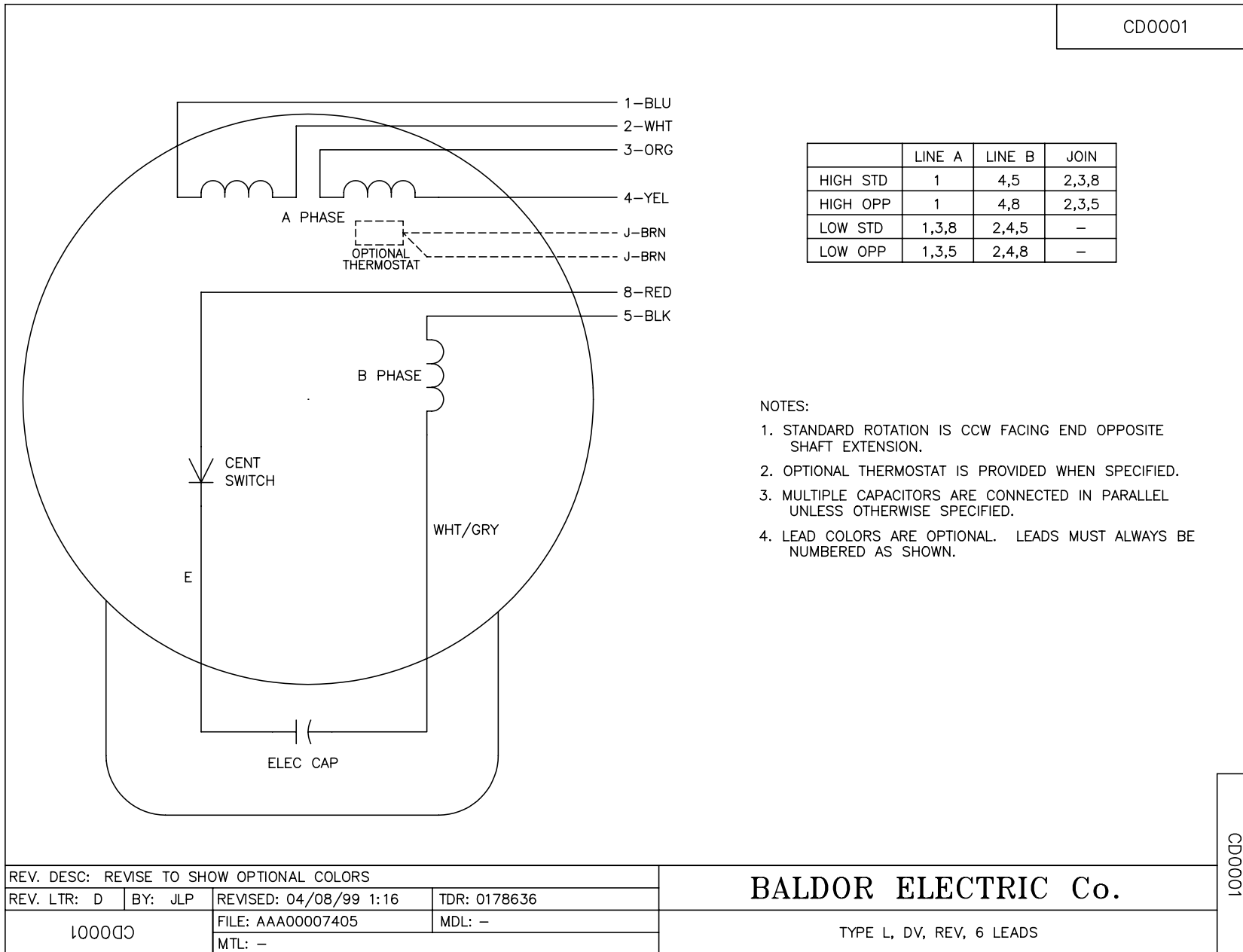
Load Characteristics							
% of Rated Load	25	50	75	100	125	150	S.F.
Power Factor:	63.0	79.0	86.0	89.0	91.0	91.0	90.0
Efficiency:	58.1	70.7	74.6	75.2	73.9	70.9	74.4
Speed:	3557.0	3522.0	3484.0	3439.0	3385.0	3314.0	3407.0
Line Amperes:	6.6	8.7	11.4	14.5	18.2	22.7	16.7

Performance Graph at 230V, 60Hz, 3.0HP Typical performance - Not guaranteed values





CD0001



CD0001

REV. DESC: REVISE TO SHOW OPTIONAL COLORS			
REV. LTR: D	BY: JLP	REVISED: 04/08/99 1:16	TDR: 0178636
100000		FILE: AAA00007405	MDL: -
		MTL: -	

BALDOR ELECTRIC Co.

TYPE L, DV, REV, 6 LEADS