

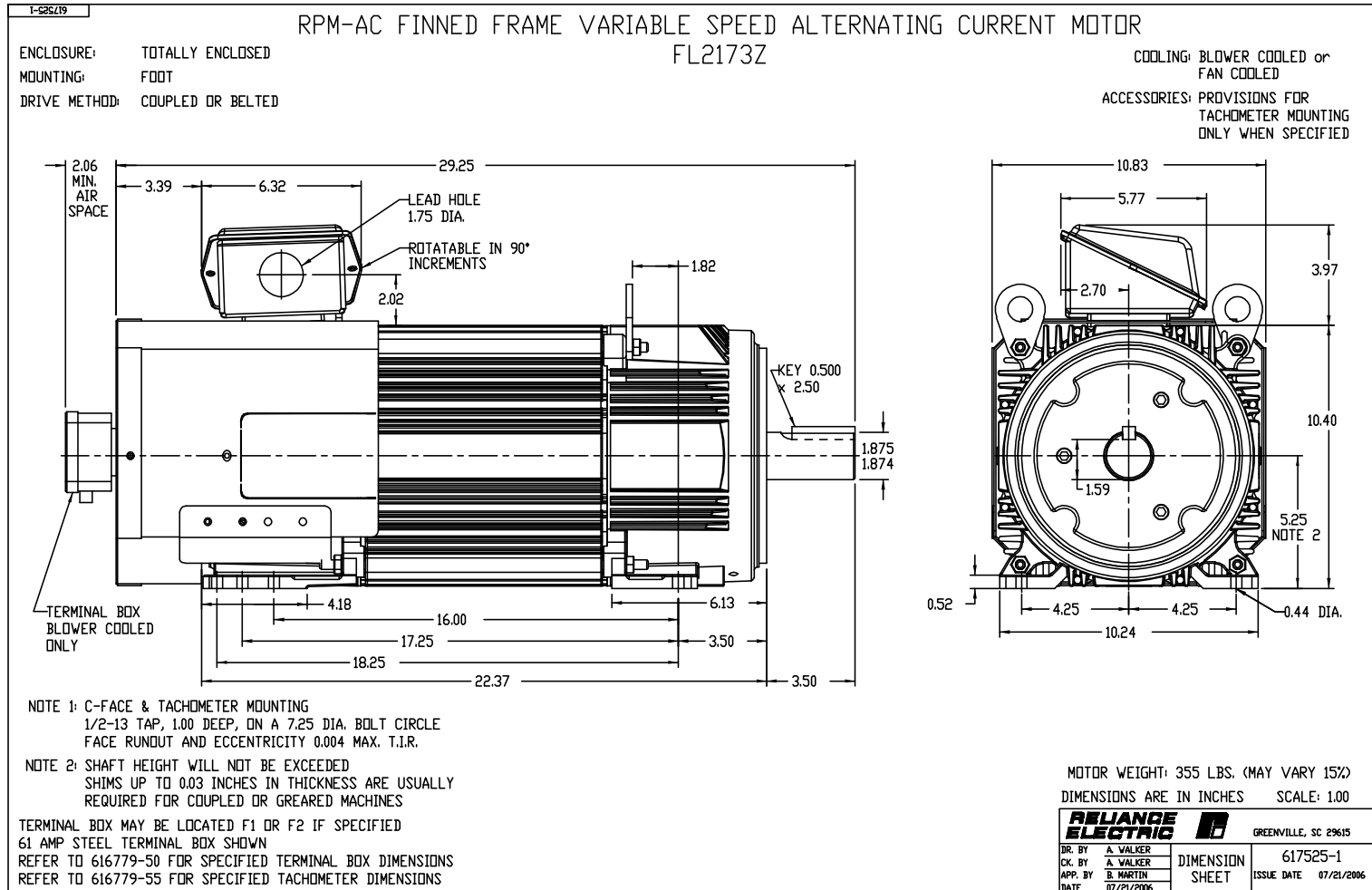
# **BALDOR**® • ***RELIANCE***

## **Product Information Packet**

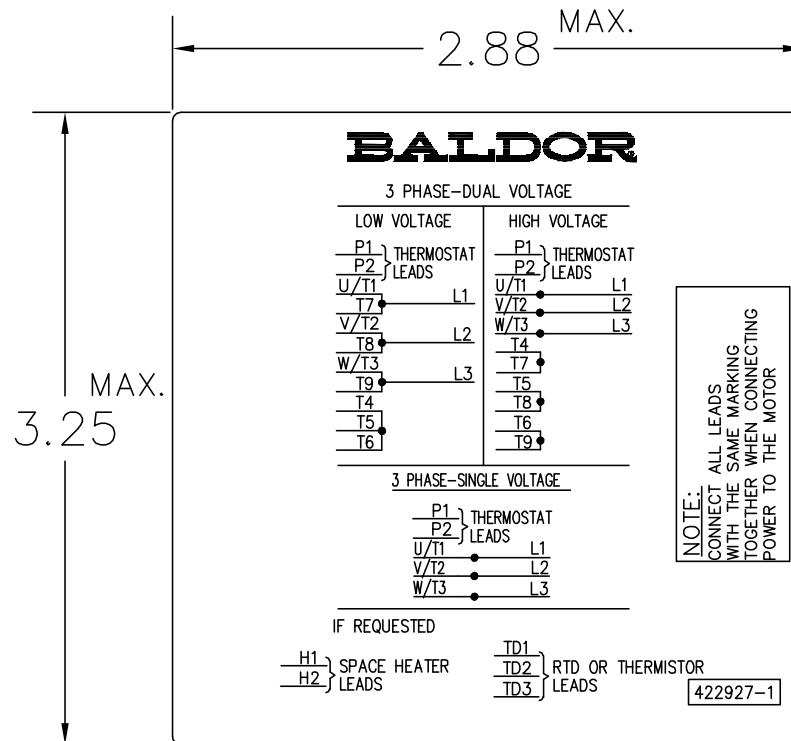
# **ZDBRPM21404**

**40HP, 1750RPM,3PH,60HZ,2173,TEBC,FOOT**

Part Detail			
Model Number:	ZDBRPM21404	Environment:	General Purpose
Voltage:	460	HP:	40
RPM:	1770/3525	Efficiency:	NA
Phase:	3	Frequency:	N/A
Inverter Duty:	Y	Enclosure:	TEBC
Frame Group:	210	Frame Size:	FL2173Z
Features:	RPM AC	Mounting:	Foot Mounted
Service Factor:	1	Enclosure Group:	TEBC
Weight:	0	Price Symbol:	E2
Speed Range:		Insulation Class:	H
Nema Design:		Encl. Enhancement:	
Catalog Page:	B-196	Dimension Sheet:	617525-1
Connection Diagram:	422927-1	Electric Design:	L3311A
Single HP:	40	Get Notes:	RPM AC
Revision:		Instruction Manual:	
Application:	Variable Speed-V*S	Epact:	
Scaled Drawing:		Obsolete:	N
Last Data Source:	RGG,MADD	Bearing Type:	
Electrical Type:		Mounting Pos.:	
Ambient:	40	Duty:	
Amps:		Nominal Eff.:	
Kva Code:		Power Factor:	
Poles:	00	Literature:	



422927-001



NOTE:  
DATA TO BE SIZED SO THAT IT FITS INTO MATERIAL DECAL DIMENSIONS. MAKE LETTERS & NUMBERS AS LARGE AS POSSIBLE.

MATERIAL: CERAMATIC DGF-P4  
PERMA GRIP ADHESIVE  
ALL LETTERS, NUMBERS AND LINES TO BE BLACK ON GOLD BACKGROUND.

422927-1

422927-001

REV. DESC: CHANGE LOGO TO BALDOR		
REV. LTR: A	VERSION: 01	TDR: 000000556744
FILE: \RGG\00000\203	REVISED: 02:51:59 09/02/2010	
MTL: -	BY: RGGWT	

**BALDOR**

EXTERNAL CONNECTION LABEL

SH 1 of 1

REL. S.O.	-	VOLTS	460	ENCLOSURE	TEBC	WYE CONN EQ CKT OHMS PER PHASE (AT BASE RATING, 25 °C)
FRAME	FL2173	AMPS	51	MAX SAFE RPM	5000	
HP	40	DUTY	CONT	IM (AMPS)	20	R1 .100 X1 .495
BASE SPEED	1770	S.F.	1.0	P.F. @NL/FL	.059/.818	R2 .0747 X2 .633
PHASE/HERTZ	3/60	AMB °C/INSUL	40/H	WK <sup>2</sup> (LB-FT <sup>2</sup> )	2.64	XM 11.5

**RATED FULL LOAD DATA**


	RPM	HP	TORQUE LB-FT	FUND VOLTS	FREQ-HZ	AMPS
BASE SPEED	1768	40.0	119	460	60	50.7
MAX SPEED	3526	40.0	60	460	120	49.0
MIN SPEED	0	0	119	14.9	1.07	50.7

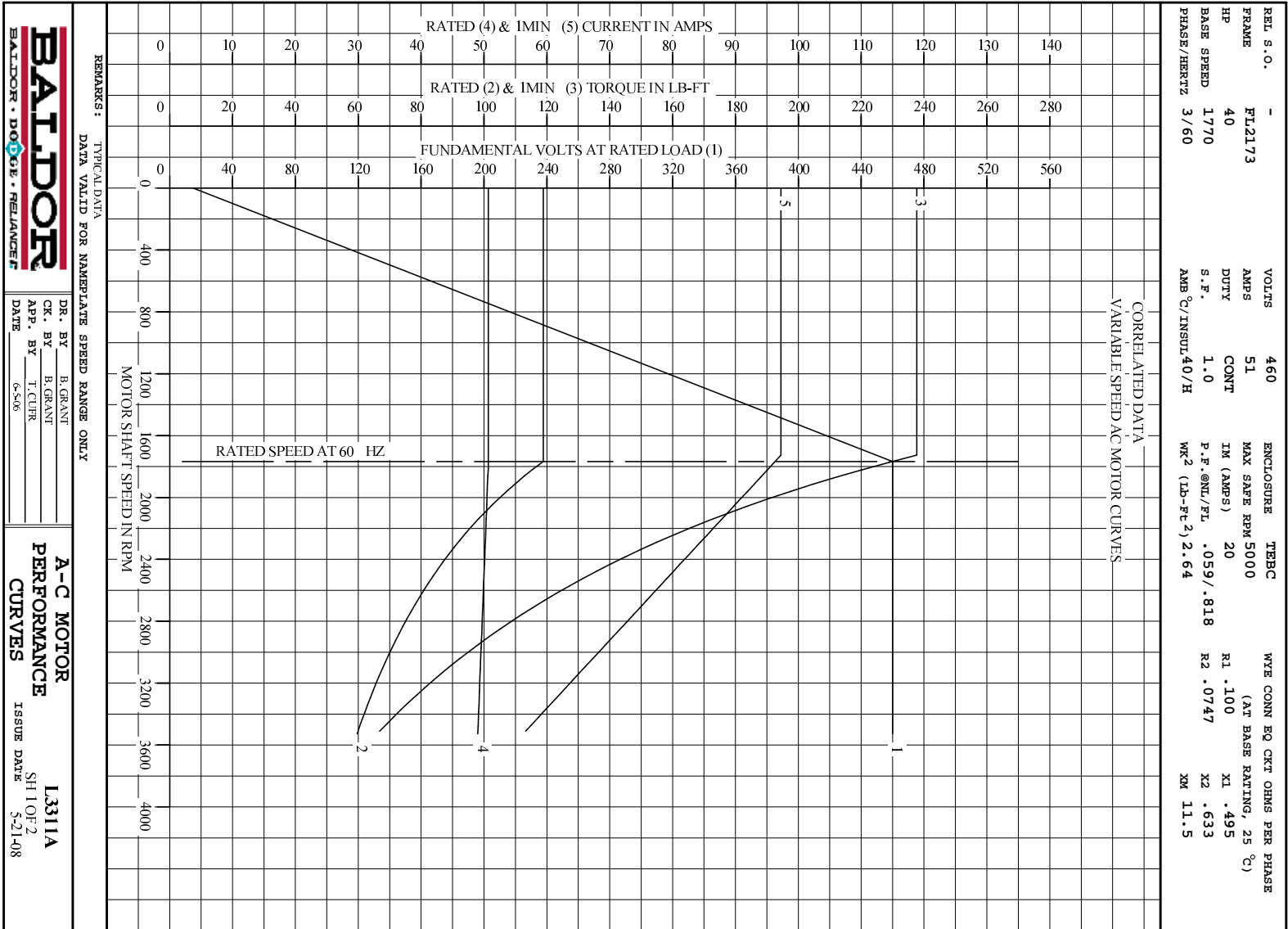
**LOAD PERFORMANCE AT BASE SPEED**

	RPM	HP	TORQUE LB-FT	FUND VOLTS	FREQ-HZ	AMPS
NO LOAD	1800	0	0	460	60	22.9
1/4	1792	10.0	29	460	60	26.1
1/2	1785	20.0	59	460	60	32.4
3/4	1777	30.0	89	460	60	40.8
FULL LOAD	1768	40.0	119	460	60	50.7
O/L	1727	78.2	238	460	60	97.2

BLOWER DATA	VOLTS	PH/HZ	FL AMPS	LR AMPS	FRAME	CFM

REMARKS: TYPICAL DATA  
CORRELATED DATA

 BALDOR • DOUG • RELIANCE	DR. BY	B. GRANT	<b>A-C MOTOR PERFORMANCE DATA</b>
	CK. BY	T. CURR	
	APP. BY	6-5-06	L3311A ISSUE DATE 5-21-08



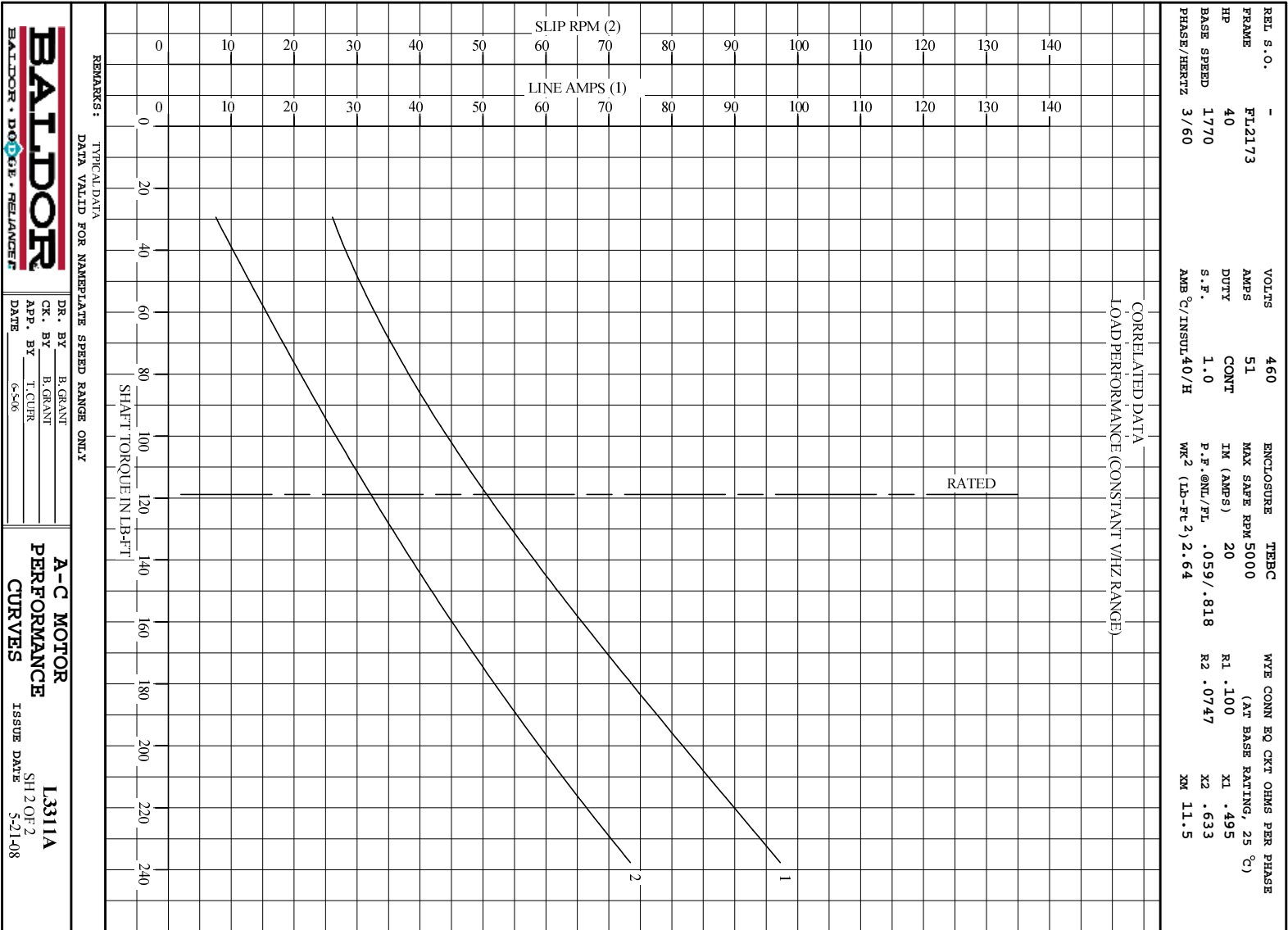
**BALDOR**  
BALDOR • DOUGLASS • RELIANCE

DR. BY B. GRANT  
 CK. BY B. GRANT  
 APP. BY T. CURR  
 DATE 6-5-06

**A-C MOTOR  
PERFORMANCE  
CURVES**

ISSUE DATE 5-21-08  
 L3311A  
 SH 1 OF 2

1



**BALDOR**  
BALDOR • DOUGLASS • RELIANCE

DR. BY B. GRANT  
CK. BY B. GRANT  
APP. BY T. CURR  
DATE 6-5-06

**A-C MOTOR**  
**PERFORMANCE**  
**CURVES**  
ISSUE DATE 5-21-08  
**L3311A**  
SH 2 OF 2