

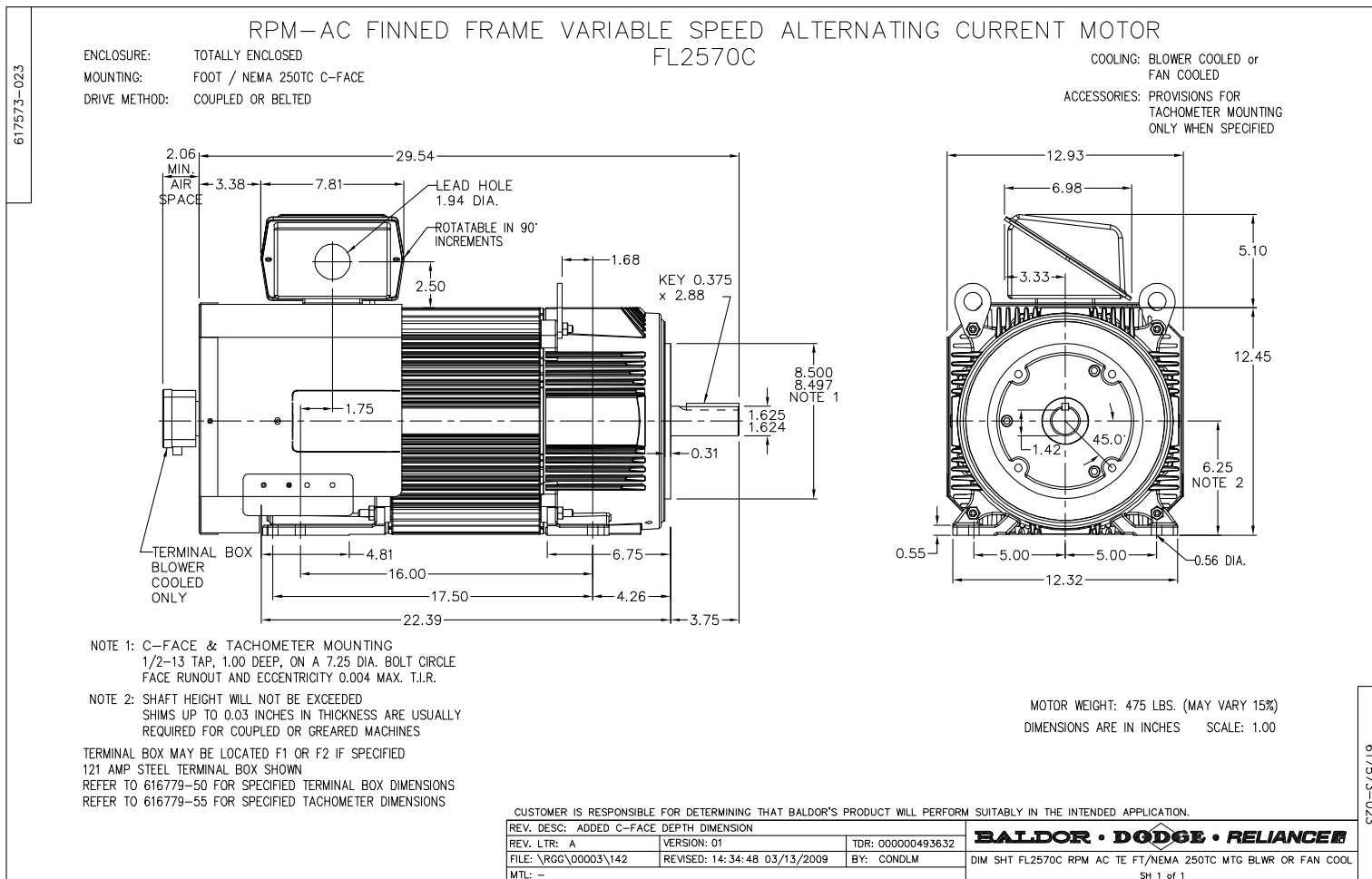
BALDOR® • ***RELIANCE***

Product Information Packet

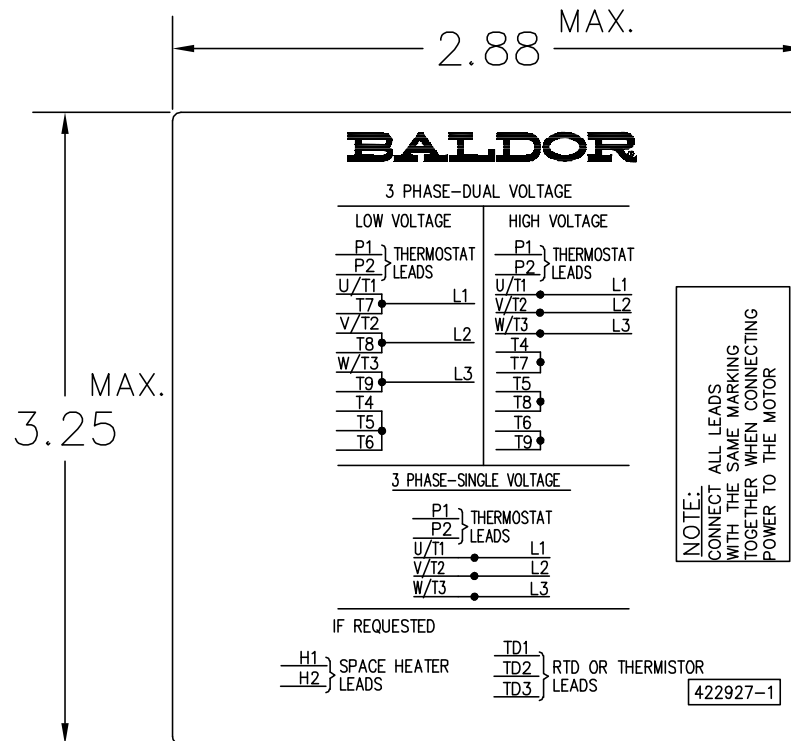
ZDFRPM25304C

30HP, 1750RPM, 3PH, 60HZ, 2570C, TEFC, FOOT

Part Detail			
Model Number:	ZDFRPM25304C	Environment:	General Purpose
Voltage:	460	HP:	30
RPM:	1780/3555	Efficiency:	NA
Phase:	3	Frequency:	N/A
Inverter Duty:	Y	Enclosure:	TEFC
Frame Group:	250	Frame Size:	FL2570C
Features:	RPM AC	Mounting:	Foot Mounted
Service Factor:	1	Enclosure Group:	TEFC
Weight:	0	Price Symbol:	E2
Speed Range:		Insulation Class:	H
Nema Design:		Encl. Enhancement:	
Catalog Page:	B-196	Dimension Sheet:	617573-23
Connection Diagram:	422927-1	Electric Design:	L3379A
Single HP:	30	Get Notes:	RPM AC
Revision:		Instruction Manual:	
Application:	Variable Speed-V*S	Epact:	
Scaled Drawing:		Obsolete:	N
Last Data Source:	RGG,MADD	Bearing Type:	
Electrical Type:		Mounting Pos.:	
Ambient:	40	Duty:	
Amps:		Nominal Eff.:	
Kva Code:		Power Factor:	
Poles:	00	Literature:	



422927-001



NOTE:
DATA TO BE SIZED
SO THAT IT FITS INTO
MATERIAL DECAL
DIMENSIONS. MAKE
LETTERS & NUMBERS
AS LARGE AS POSSIBLE.

MATERIAL: CERAMATIC DGF-P4
PERMA GRIP ADHESIVE

ALL LETTERS, NUMBERS
AND LINES TO BE BLACK
ON GOLD BACKGROUND.

NOTE:
CONNECT ALL LEADS
WITH THE SAME MARKING
TOGETHER WHEN CONNECTING
POWER TO THE MOTOR

REV. DESC: CHANGE LOGO TO BALDOR		
REV. LTR: A	VERSION: 01	TDR: 000000556744
FILE: \RGG\00000\203	REVISED: 02:51:59 09/02/2010	
MTL: -	BY: RGGWT	

BALDOR

EXTERNAL CONNECTION LABEL
SH 1 of 1

422927-001

REL. S.O. - VOLTS 460 ENCLOSURE TEFC WYE CONN EQ CKT OHMS PER PHASE
 FRAME FL2570 AMPS 39 MAX SAFE RPM 5000 (AT BASE RATING, 25 °C)
 HP 30 DUTY CONT IM (AMPS) 20 R1 .106 X1 .513
 BASE SPEED 1780 S.F. 1.0 P.F.@NL/FL .054/.796 R2 .0656 X2 .782
 PHASE/HERTZ 3/60 AMB °C/INSUL 40/H MK² (LB-FT²) 3.5 XM 13.4

RATED FULL LOAD DATA


	RPM	HP	TORQUE LB-FT	FUND VOLTS	FREQ-HZ	AMPS
BASE SPEED	1780	30.0	89	460	60	38.7
MAX SPEED	3555	30.0	44	460	120	35.7
MIN SPEED	0	0	89	11.7	.682	38.7

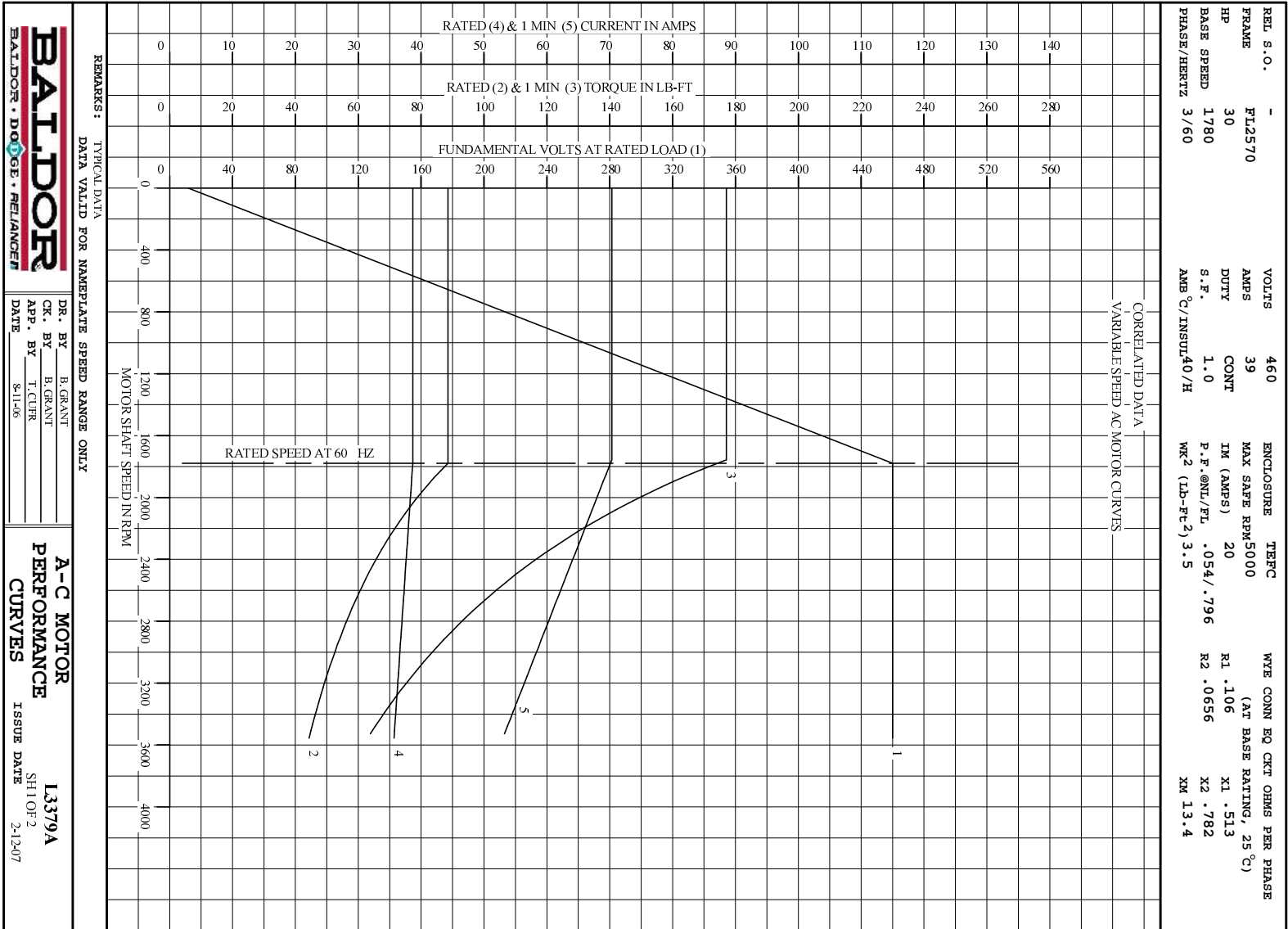
LOAD PERFORMANCE AT BASE SPEED

	RPM	HP	TORQUE LB-FT	FUND VOLTS	FREQ-HZ	AMPS
NO LOAD	1800	0	0	460	60	19.3
1/4	1795	7.51	22	460	60	21.5
1/2	1790	15.0	44	460	60	25.8
3/4	1785	22.5	66	460	60	31.8
FULL LOAD	1780	30.0	89	460	60	38.7
O/L	1756	59.2	177	460	60	70.3

BLOWER DATA	VOLTS	PH/HZ	FL AMPS	LR AMPS	FRAME	CFM

REMARKS: TYPICAL DATA
CORRELATED DATA

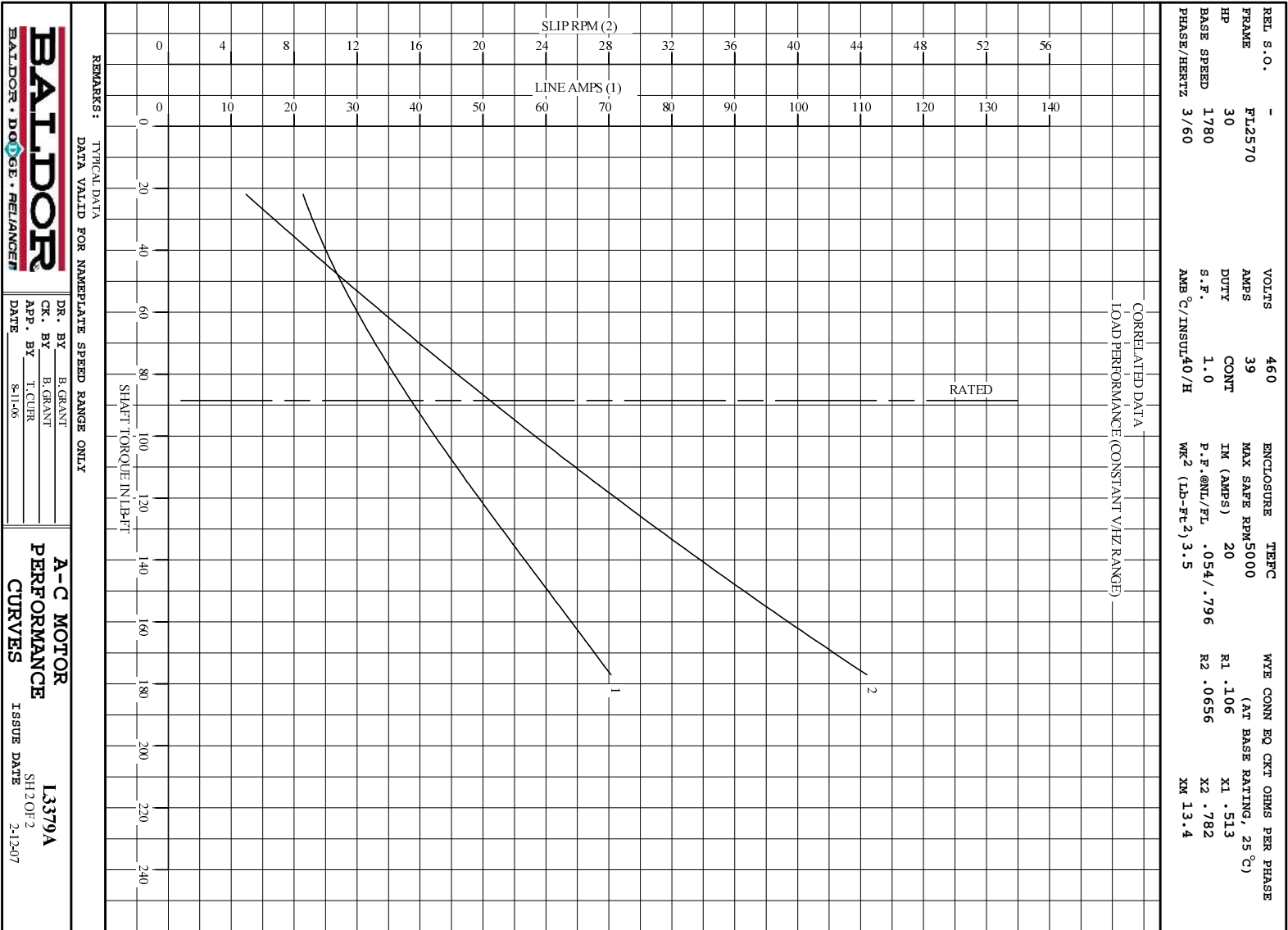
	DR. BY B. GRANT	A-C MOTOR PERFORMANCE DATA
	CK. BY T. CUER	
	APP. BY 8-11-06	
	DATE 8-11-06	
L3379A ISSUE DATE 2-12-07		



REMARKS: TYPICAL DATA
 DATA VALID FOR NAMEPLATE SPEED RANGE ONLY

BALDOR BALDOR • DOUGLASS • RELIANCE	DR. BY B. GRANT CK. BY B. GRANT APP. BY T. CURR DATE 8-11-06
---	---

A-C MOTOR PERFORMANCE CURVES	L3379A SH 1 OF 2 ISSUE DATE 2-12-07
---	---



REMARKS: TYPICAL DATA
DATA VALID FOR NAMEPLATE SPEED RANGE ONLY

DR. BY B. GRANT
CK. BY B. GRANT
APP. BY T. CURR
DATE 8-11-06

**A-C MOTOR
PERFORMANCE
CURVES**

ISSUE DATE 2-12-07

L3379A