

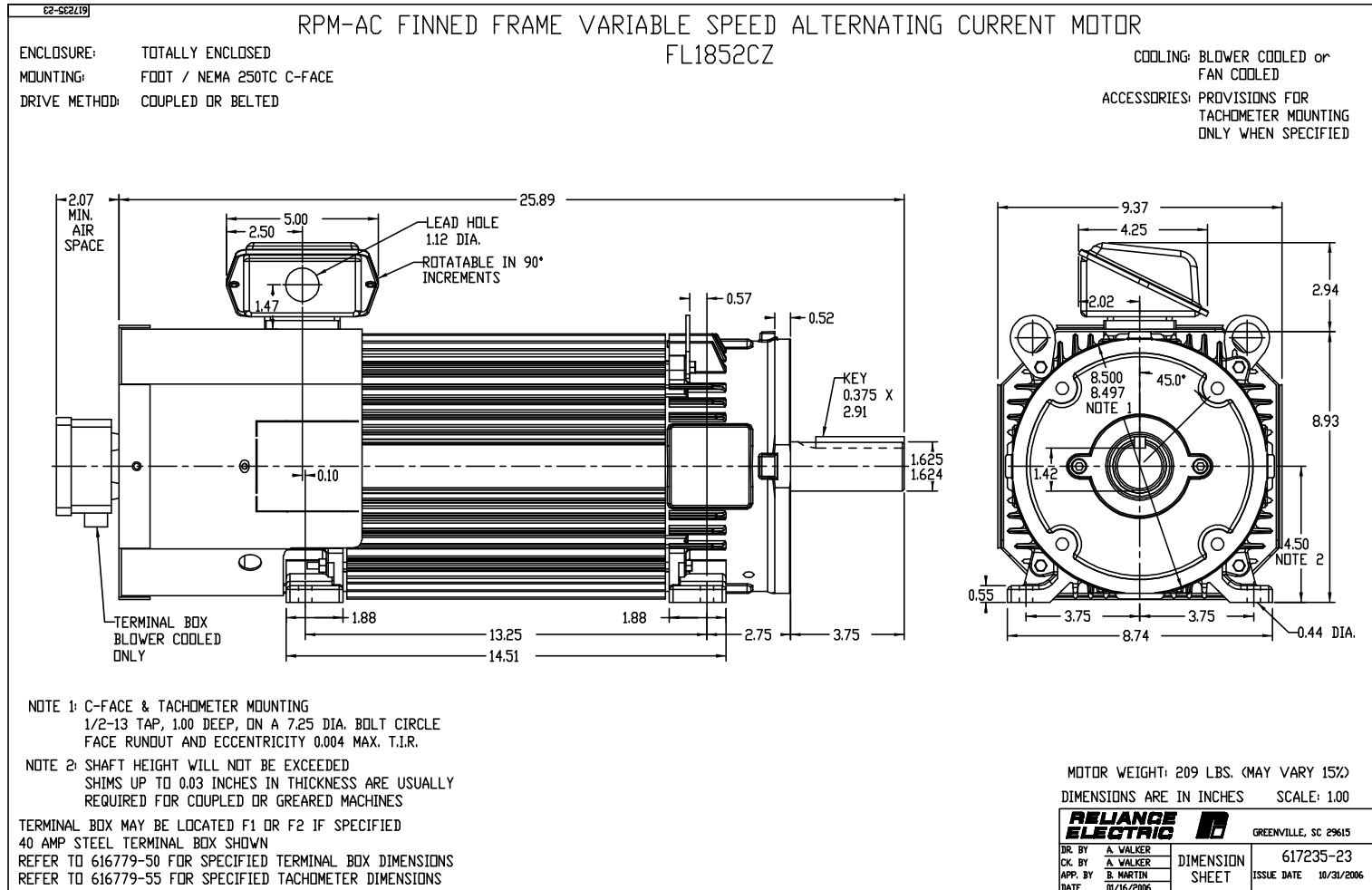
# **BALDOR**® • *RELIANCE*

## **Product Information Packet**

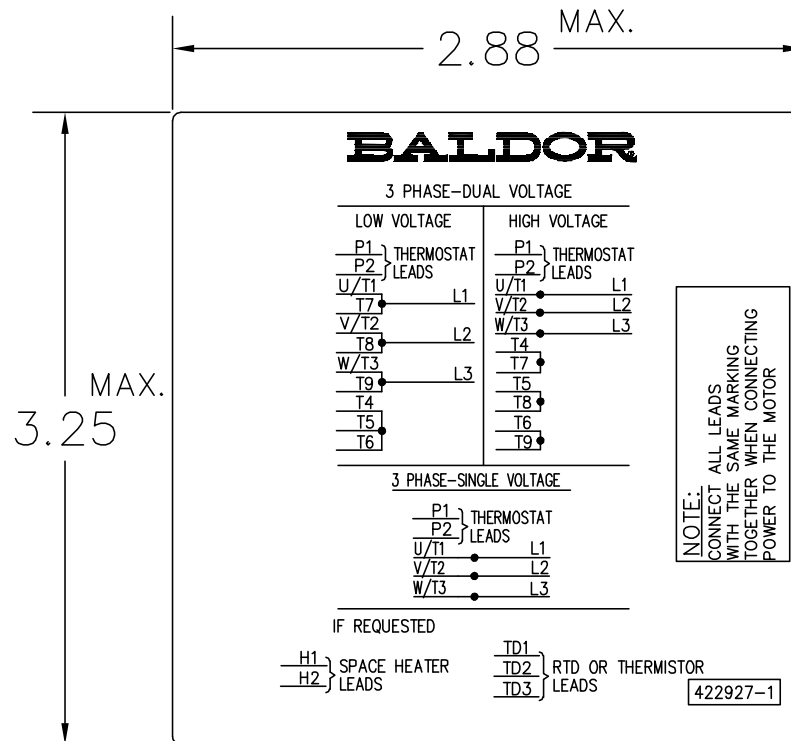
# **ZDPM18025C-BV**

**25HP, 1800RPM, 3PH, 60HZ, 1852C, TEBC, FOOT,**

Part Detail			
Model Number:	ZDPM18025C-BV	Environment:	General Purpose
Voltage:	460	HP:	25
RPM:	1800/1980	Efficiency:	
Phase:	3	Frequency:	N/A
Inverter Duty:	Y	Enclosure:	TEBC
Frame Group:	180	Frame Size:	FL1852C
Features:	Vector Duty	Mounting:	
Service Factor:	1	Enclosure Group:	TEBC
Weight:	0	Price Symbol:	E2
Speed Range:		Insulation Class:	H
Nema Design:		Encl. Enhancement:	
Catalog Page:	197	Dimension Sheet:	617235-23
Connection Diagram:	422927-1	Electric Design:	PM3926A
Single HP:	25	Get Notes:	Vector Duty
Revision:		Instruction Manual:	
Application:	Variable Speed-V*S	Epact:	
Scaled Drawing:		Obsolete:	N
Last Data Source:	RGG,MADD	Bearing Type:	
Electrical Type:		Mounting Pos.:	
Ambient:	40	Duty:	
Amps:		Nominal Eff.:	
Kva Code:		Power Factor:	
Poles:	00	Literature:	



422927-001



NOTE:  
DATA TO BE SIZED  
SO THAT IT FITS INTO  
MATERIAL DECAL  
DIMENSIONS. MAKE  
LETTERS & NUMBERS  
AS LARGE AS POSSIBLE.

MATERIAL: CERAMATIC DGF-P4  
PERMA GRIP ADHESIVE

ALL LETTERS, NUMBERS  
AND LINES TO BE BLACK  
ON GOLD BACKGROUND.

422927-001

REV. DESC: CHANGE LOGO TO BALDOR		
REV. LTR: A	VERSION: 01	TDR: 000000556744
FILE: \RGG\00000\203	REVISED: 02:51:59 09/02/2010	
MTL: -	BY: RGGWT	

**BALDOR**

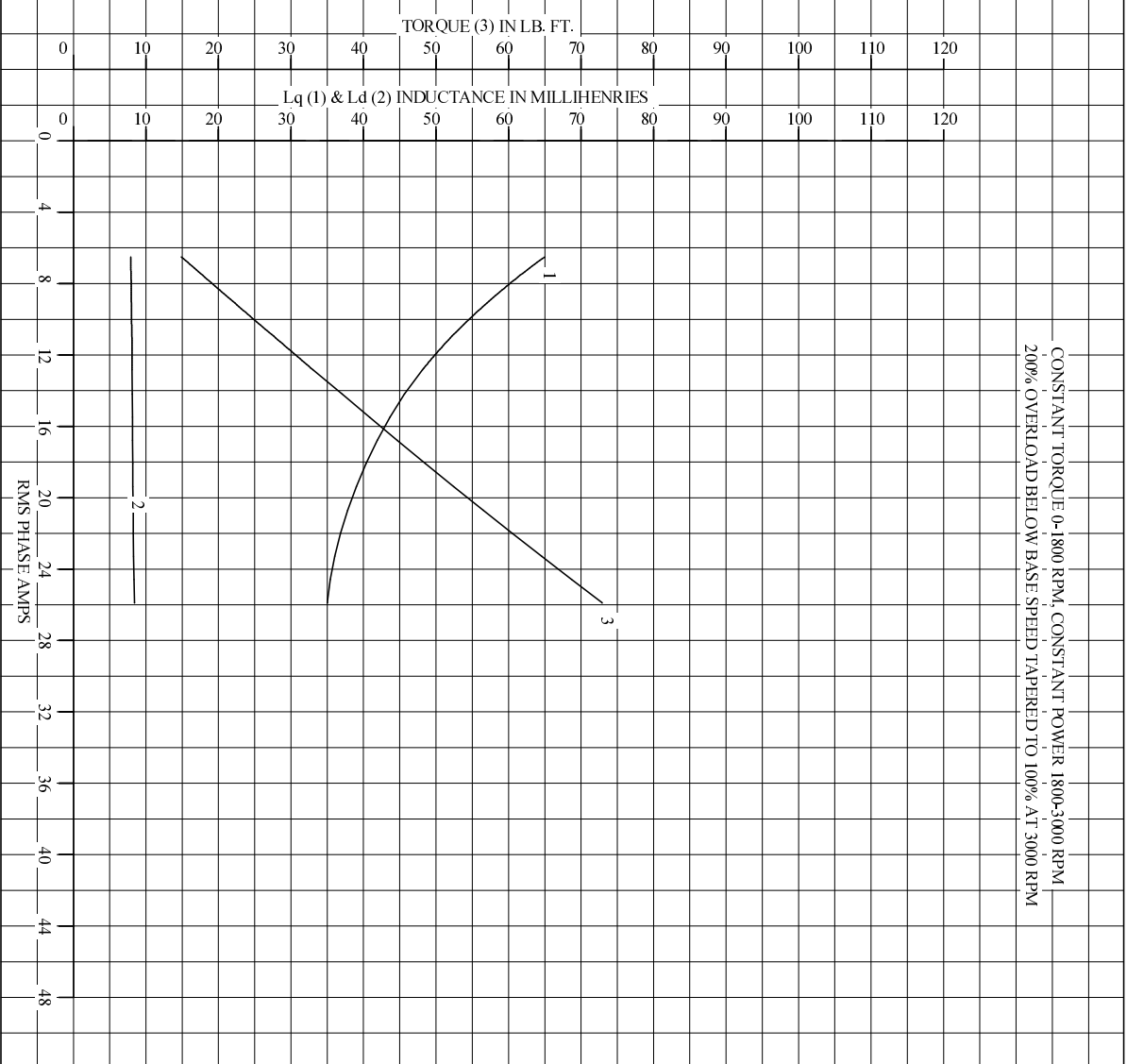
EXTERNAL CONNECTION LABEL

SH 1 of 1



S.O. 0	VOLTS 460	TYPE IPM	STATOR RES. @ 25 °C .3729
FRAME F11852	AMPS 25.9	ENCLOSURE TEBC	OHMS (BETWEEN LINES)
HP 25	DUTY CONT	MAX SAFE RPM 7200	
BASE SPEED 1800	S.F. 1.0	WK <sup>2</sup> (Lb-Ft <sup>2</sup> ) .96	
PHASE/HERTZ 3/60	AMB °C/INSUL 40/H	MAX INSTANTANEOUS OVERLOAD AMPS 77.7	

**Lq, Ld, & Torque vs. RMS Phase Amps**



REMARKS : TYPICAL DATA

<b>BALDOR</b>	DR. BY _____	CD _____	<b>IPM MOTOR</b>	
	CK. BY RMI _____	RMI _____		<b>PERFORMANCE DATA</b>
	APP. BY RMI _____	RMI _____		
DATE 4/23/10		PM3926A 4/23/10		