

BALDOR® • *RELIANCE*

Product Information Packet

ZDVSCP3665T

5HP, 1750RPM, 3PH, 60HZ, 184TC, 0641M, TEFC, F1

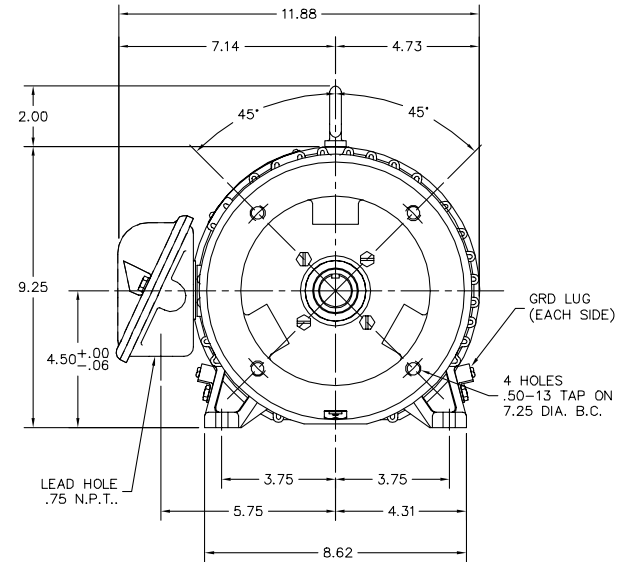
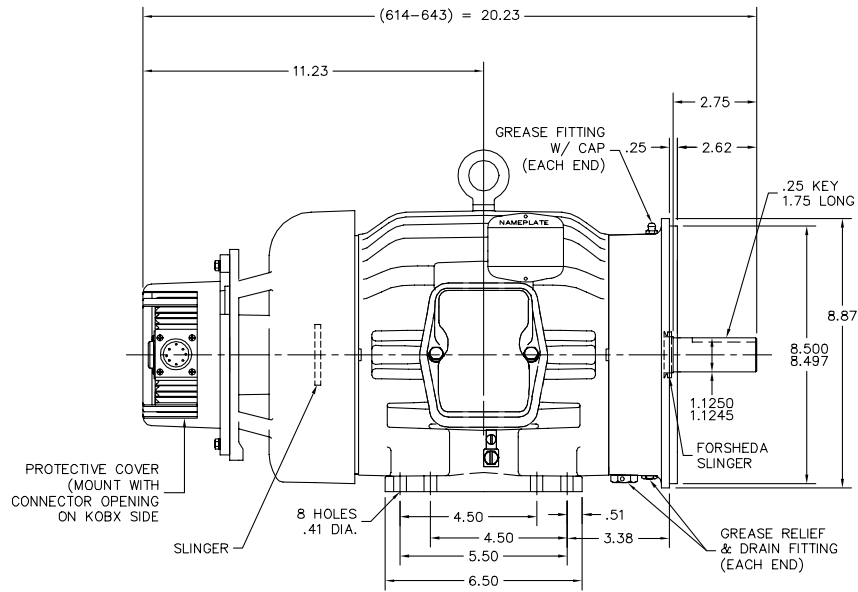
Part Detail							
Revision:	B	Status:	PRD/A	Change #:		Proprietary:	No
Type:	AC	Prod. Type:	0641M	Elec. Spec:	06WGX182	CD Diagram:	
Enclosure:	TEFC	Mfg Plant:		Mech. Spec:	06H932	Layout:	
Frame:	184TC	Mounting:	F1	Poles:	04	Created Date:	09-04-2012
Base:	RG	Rotation:	R	Insulation:	F	Eff. Date:	11-27-2012
Leads:	9#16	Literature:		Elec. Diagram:		Replaced By:	
Nameplate NP2920E							
CAT NO	ZDVSCP3665T						
SPEC.	06H932X182Z1						
FRAME	184TC	HP	5 TE				
VOLTS	230/460						
MAG CUR	6.4/3.2	FLA	13.2/6.6				
RPM	1750	RPM MAX	4000				
HZ	60	PH	3	CLASS	F		
SER.F.	1.00	DES	B	SL HZ	1.7		
NEMA-NOM-EFF	89.5	WK2	0.38				
BLWR V		PH		HZ		A	
RATING	40C AMB-CONT						
DE BRG	6206	ODE BRG	6206				
CC	010A	SN					
	1.5:1 CHP PWM						

Parts List		
Part Number	Description	Quantity
SA250535	SA 06H932X182Z1	1.000 EA
RA237389	RA 06H932X182Z1	1.000 EA
HW3201A05	3/8-16 EYEBOLT	1.000 EA
06CB1000A02G	CONDUIT BOX, MACH GRAY	1.000 EA
RM1016	LEAD SEPARATOR GASKET - 305/306 C.P.MOTO	1.000 EA
51XW2520A12	.25-20 X .75, TAPTITE II, HEX WSHR SLTD	2.000 EA
11XW1032G06	10-32 X .38, TAPTITE II, HEX WSHR SLTD U	1.000 EA
HW3001B01	003SS CUP WASHER, FOR #8 SCREW	1.000 EA
10XN2520S06	1/4 20X3/8 HX HD CAP S.S.	2.000 EA
WD1000B16	KPA-4C BURNDY TERMINAL	2.000 EA
36EP1905A28G	FREP FOR SPL CI FANCOVER W/GRS, RLF, .12	1.000 EA
HW4500A01	1641B(ALEMITE)400 UNIV, GREASE FITT	1.000 EA
HA4051A00	PLASTIC CAP FOR GREASE FITTING	1.000 EA
HW4500A17	317400 ALEMITE GREASE RELIEF	1.000 EA
HA4001A01SP	DRAIN PLUG, PLASTIC (MICRO PLAS)	1.000 EA
HW5100A06	W2420-025 WVY WSHR (WB)	1.000 EA
36EP1300A48G	SPL PU 206 BRG. 182-4TC W/GREASER & RELI	1.000 EA
HW4500A01	1641B(ALEMITE)400 UNIV, GREASE FITT	1.000 EA
HA4051A00	PLASTIC CAP FOR GREASE FITTING	1.000 EA
HW4500A17	317400 ALEMITE GREASE RELIEF	1.000 EA
HA4001A01SP	DRAIN PLUG, PLASTIC (MICRO PLAS)	1.000 EA
10XN2520A26	1/4-20X 1 5/8 HEX HD	4.000 EA
HW1001A25	LOCKWASHER 1/4, ZINC PLT .493 OD, .255 I	4.000 EA
HA3101A34	THRUBOLT- 1/4-20 X 10.375	4.000 EA

Parts List (continued)		
Part Number	Description	Quantity
06FH1005A29G	FAN COVER, MACH	1.000 EA
WD4100A02	DP-1000 HEYCO PLUG OR 62MP1000 MICRO PL	1.000 EA
10XN2520A36	1/4-20X 2 1/4 HEX HD X	4.000 EA
HW1001A25	LOCKWASHER 1/4, ZINC PLT .493 OD, .255 I	4.000 EA
HA1100A06	SCREEN, RODENT	1.000 EA
13XT0832A07	8-32X7/16 TYP 23 PAN HD SLT DX	4.000 EA
06CB1502A01G	LIPPED CONDUIT BOX LID, MACH GRAY EPOXY	1.000 EA
06GS1003	GASKET, KOBX LID, 1/8" THICK BLACK NEOPR	1.000 EA
10XN2520A12	O1/4-20X 3/4 HEX HEAD CAP	2.000 EA
HW1001A25	LOCKWASHER 1/4, ZINC PLT .493 OD, .255 I	2.000 EA
HA1005A02SP	SLINGER, OD 2.00, ID 1.14, 206 BRG,	1.000 EA
HW4600B36SP	V-RING SLINGER 1.188 X 1.690 X 0.240	1.000 EA
HW2501E16	3KEY, 1/4 SQ X 1.750	1.000 EA
HA7000A02	KEY RETAINER RING, 1 1/8 DIA, 1 3/8 DIA	1.000 EA
MJ5001A01	46-665 RED SEALER	0.001 QT
85XU0407S04	4X1/4 U DRIVE PIN STAINLESS	2.000 EA
LB1115	LABEL,LIFTING DEVICE	1.000 EA
LB1002	LABEL,MARINE DUTY (ON ROLLS)	1.000 EA
MJ1000A75	GREASE, POLYREX EM EXXON	0.050 LB
36FN3000C02	EXFN, PLASTIC, 5.25 OD, 1.175 ID	1.000 EA
51XB1214A16	12-14X1.00 HXWSSLD SERTYB	1.000 EA
611712073A	TACH 210	1.000 EA
MG1025N19	PAINT, 778.50 WILKO, RELIANCE ELEC GREEN	0.028 GA
LB1119	WARNING LABEL	1.000 EA

Parts List (continued)		
Part Number	Description	Quantity
LB1125C01	STD (STOCK) CARTON LABEL BALDOR WITH FLA	1.000 EA
LC0145B01	CONNECTION LABEL	1.000 EA
NP2920E	SS CP VEC UL CSA CC	1.000 EA
36PA1001	PACKAGING GROUP	1.000 EA

06LYH932



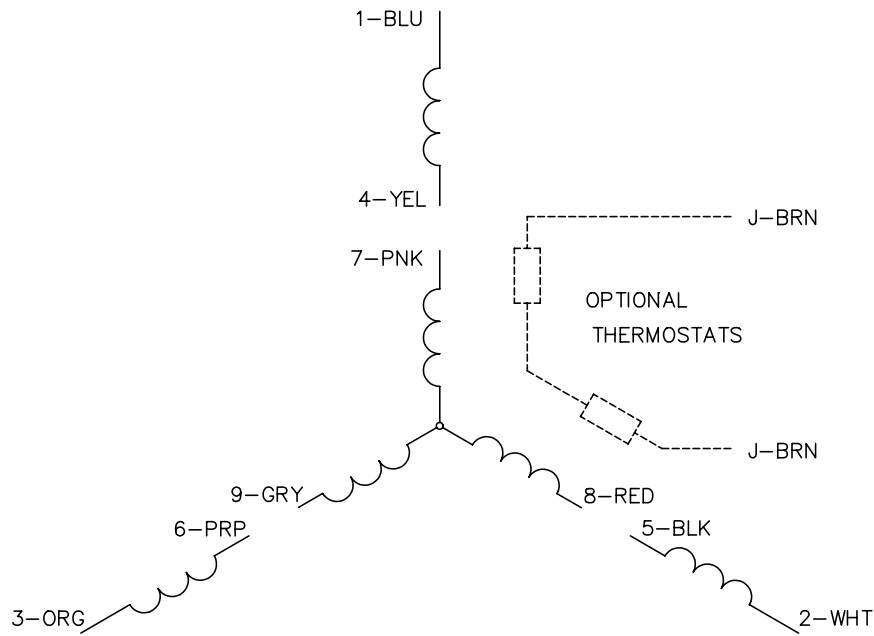
06LYH932

CUSTOMER IS RESPONSIBLE FOR DETERMINING THAT BALDOR'S PRODUCT WILL PERFORM SUITABLY IN THE INTENDED APPLICATION.

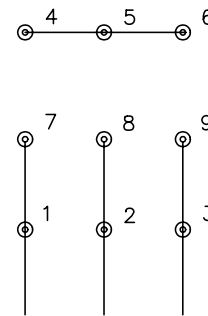
REV. DESC: CHANGED NOTE FOR ENCODER COVER		
REV. LTR: A	VERSION: 01	TDR: 000000767560
FILE: \AAA\00193\870	REVISED: 11:00:27 10/04/2012	BY: ENBRAMO
MTL: -		

BALDOR
STD HORZ 182-4TC TEFC VPS MASTER CP VECTOR W/ DYNAPAR HSD38
SH 1 of 1

CD0005

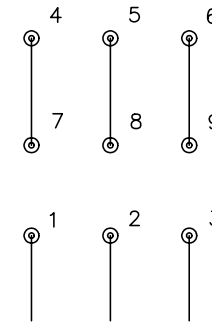


LOW VOLTAGE
(2Y)



LINE

HIGH VOLTAGE
(1Y)



LINE

NOTES:

1. INTERCHANGE ANY TWO LINE LEADS TO REVERSE ROTATION.
2. OPTIONAL THERMOSTATS ARE PROVIDED WHEN SPECIFIED.
3. ACTUAL NUMBER OF INTERNAL PARALLEL CIRCUITS MAY BE A MULTIPLE OF THOSE SHOWN ABOVE.
4. LEAD COLORS ARE OPTIONAL. LEADS MUST ALWAYS BE NUMBERED AS SHOWN.

REV. DESC: REVISE TO SHOW OPTIONAL COLORS			
REV. LTR: E	BY: JLP	REVISED: 01/19/99 10:15	TDR: 0171435
9000D		FILE: AAA00005140	MDL: -
		MTL: -	

BALDOR ELECTRIC Co.

3PH, DV, 9 LEADS

CD0005