

Accessories

Relay moduls

Relay modul DS 93 R



Description

Switch relay box for switching high voltages and currents for a digital speed switch (for example DSL or DS 93). Triggering is carried out by the three line drivers.

Part number

DS 93 R Relay modul

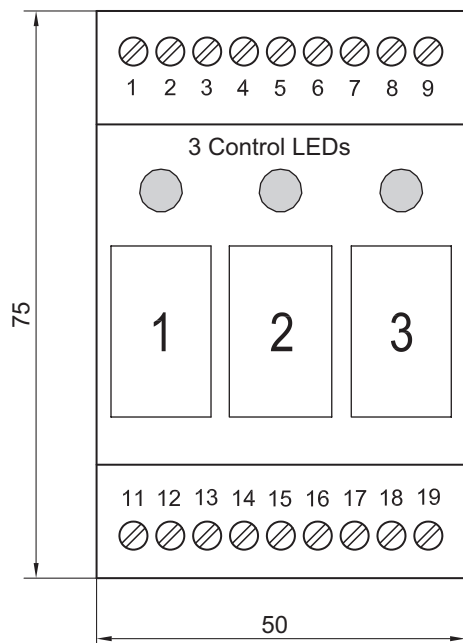
Suitable for

DS 93, HOG 10 + DSL.R, HOG 16 + DSL.R, HOG 165 + DSL.R, POG 10 + DSL.R

Technical data

Housing	50x75x55 mm
Protection DIN EN 60529	IP 20
Material	Housing: Polycarbonat
Operating temperature	-20...+50 °C
Weight approx.	130 g
Connection	Connecting terminal
Max. cable length	200 m (1 mm ² shielded)

Dimensions



Height = 55

Terminal assignment

