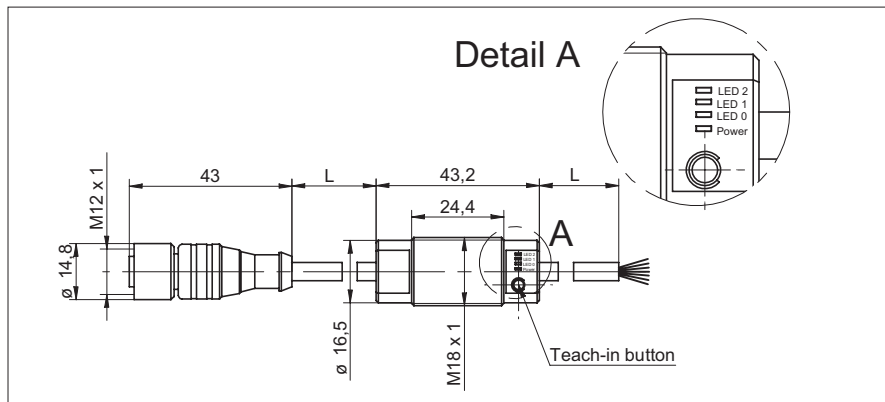


## Converter with 3 teachable digital outputs

## Converter 3P-Switch M12

Mat.-No.: 10163979

### dimension drawing



- Output signal: window function
- Teach-in locking: 7 min after power-on

### general data

means of adjustment	internal / remote Teach-in
green LED indicator	power-on
yellow LED indicators	output state / Teach-in feedback
resolution typ	11 mV

### electrical data

voltage supply range +Vs	15 ... 30 VDC
current consumption max.	25 mA
reverse polarity protection	yes, supply voltage

### analog input

input circuit	voltage input
input signal	0 ... 10 VDC
max. voltage on analog input	30 VDC
input resistance	> 10 k $\Omega$

### teach-in input

input circuit	digital
input signal on / off	> 4 VDC / < 1,3 VDC
input signal max.	30 VDC
input resistance	> 10 k $\Omega$

### digital output

output circuit	push-pull
output current	100 mA
voltage drop Vd	< 2 VDC
short circuit protection	yes
switching frequency	< 1 kHz
hysteresis	1 % FS
time to readiness	< 200 ms

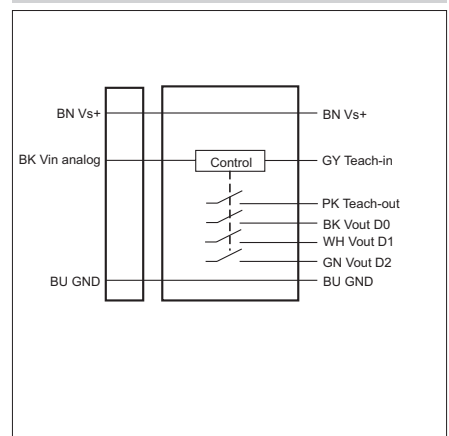
### mechanical data

type	cylindrical
housing material	brass nickel plated / LCP
width / diameter	18 mm
height / length	43,2 mm (without cable)
connection types	cable / fly-lead connector M12 x 1 cable material: PVC / PUR cable length: L = 1 m

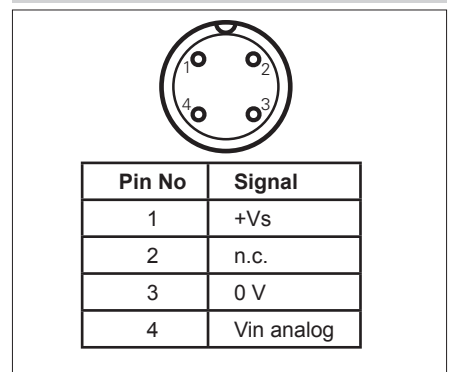
### ambient conditions

operating temperature	-10 ... +70 °C
protection class	IP 64

### connection diagram



### pin assignment



Technical specifications subject to change