

1 Normally Open (N/O) Illuminating Switches - Push, Selector, Momentary & Latching

Illuminated Pushbuttons		TP1	TP2	TP3	TP6	TP7
Illuminated Pushbuttons - Protruding		TG1	TG3	TG5	TG6	TG7
2 Position Illuminated Selector Switch		T2E / T2F	<p><b>Laser Engraving Information</b> Engraving for each button is 2 lines of 10 characters.</p> Engraving available for 2 position selector switch is 10 characters at each switch position.			

1 Normally Open (N/O) Illuminated Switch for machine control.

- Each switch uses 1 input and 1 output pin.
- Inputs to the tGard stack are always assigned before outputs.
- High input will illuminate the lamp, irrespective of selector.
- Range of options.
  - Push Button
  - Protruding Push Button
  - 2 Position Selector Switches
    - Latching
    - Momentary

Safety Data	
Standards	EN60957-5-1:2009 (Low-voltage switchgear and control gear).
Certifications	CE marked for all applicable directives

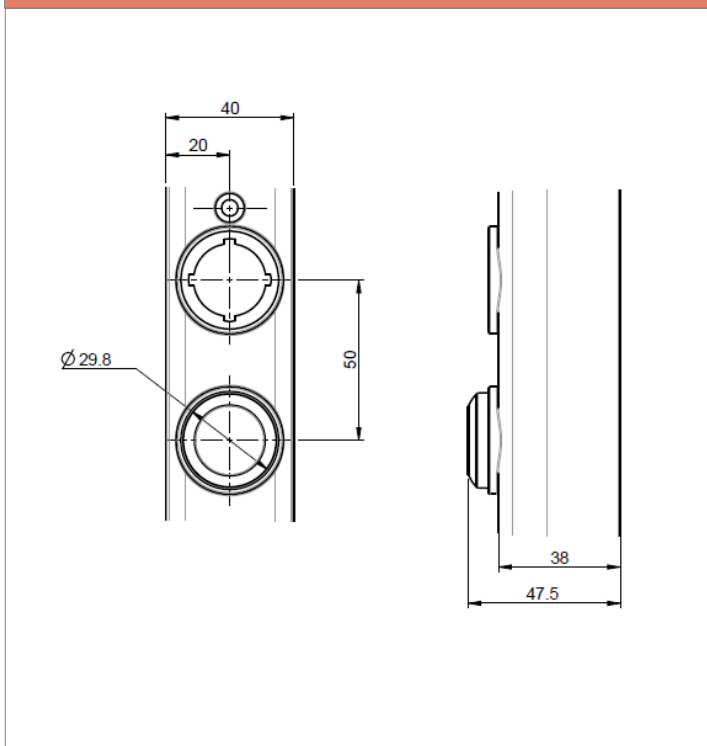
Technical Specification	
Housing Materials	Painted die cast aluminium
Colour	Dark Grey
Ingress Protection	IP65*
Mechanical Life	1,000,000 Operations
Electrical Life	1,000,000 Operations
LED Life	100,000 hours on time
Ambient Temperature	0°C to +60°C
Environment	Indoor use only
Switching Contact Element	1 output
Switching Current	100mA
Switching Voltage	24V

Part Number Options	
Part Number	Description
TP1	Illuminated Push Button - Red
TP2	Illuminated Push Button - Yellow
TP3	Illuminated Push Button - Green
TP6	Illuminated Push Button - Blue
TP7	Illuminated Push Button - White
TG1	Protruding Illuminated Push Button- Red
TG3	Protruding Illuminated Push Button- Green
TG5	Protruding Illuminated Push Button- Yellow
TG6	Protruding Illuminated Push Button- Blue
TG7	Protruding Illuminated Push Button- White
T2E	2 Position Illuminated Selector Switch - Latching
T2F	2 Position Illuminated Selector Switch - Momentary

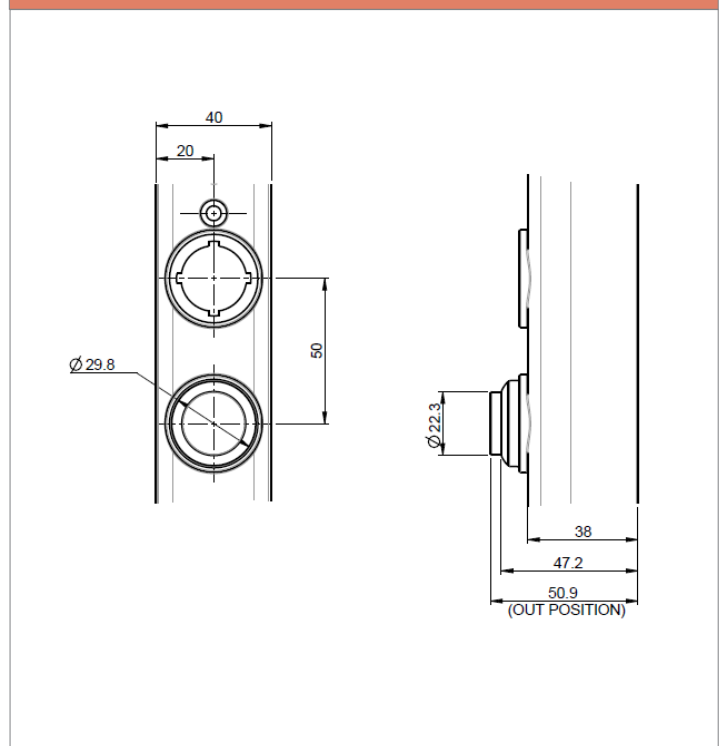
Electrical Guidance			
Inputs	Outputs	Module operates on the safety circuits	Order of pin assignment from base to head
1	1	No	Input (LED) assigned first

\*IP protection is to the tGard stack that this module attaches to, when correctly fitted according to installation and maintenance instructions.

Dimensional Drawing - TP1, TP2, TP3, TP6, TP7



Dimensional Drawing - TG1, TG2, TG3, TG6, TG7



1 Normally Open (N/O) Illuminating Switches - Push, Selector, Momentary & Latching

Dimensional Drawing - T2E, T2F

